

Air Extraction

Fresh air solutions



Euro Appliances Air Extraction Series - where Italian design and quality come together in a range perfect for Australian lifestyles. With home grown service and knowledge to guarantee satisfaction.

Euro Appliances bring European quality into your kitchen backed by Euro's associate manufacturers in northern Italy, Europe and worldwide who have been producing premium cooking products for over 50 years.

The Euro Appliances team has conducted extensive research over the past 12 months working with our network of nationwide retail partners and we are proud to deliver the latest range of quality European air extraction appliances with the latest design features and innovative technology.

What do we offer?

The Air Extraction range provides the perfect complement to match the cooking and dishwashing Euro products, or with little or no branding it will match with any appliance you may have.

Two year warranty.

Our Air Extraction range is backed with a two year warranty. Contact us from anywhere in Australia on our toll free number 1800 440 335, for all your service needs.



Where can you find our products?

Simply call our Customer Care Centre on 1800 440 335 to locate a retailer near you.

Air extraction solutions for everywhere.

Under cupboard.

Fixed, slide-out or mounted under the cupboard, there is a solution for nearly all situations. We have a new small model, 52cm width, for replacement fitting in older style homes or perfect for smaller kitchens.

The range includes 60cm, 72cm and 90cm widths in a range of styles and finishes.

Canopy or island, or something surprising.

Stainless steel, black glass, curved glass or even a cylinder shape. The choice and ability to suit all tastes and styles combines with high efficiency.

The outdoor room.

With the number of outdoor rooms being built there is a need for our barbecue canopies, designed with a high extraction capacity and comes in 90cm or 120cm widths.

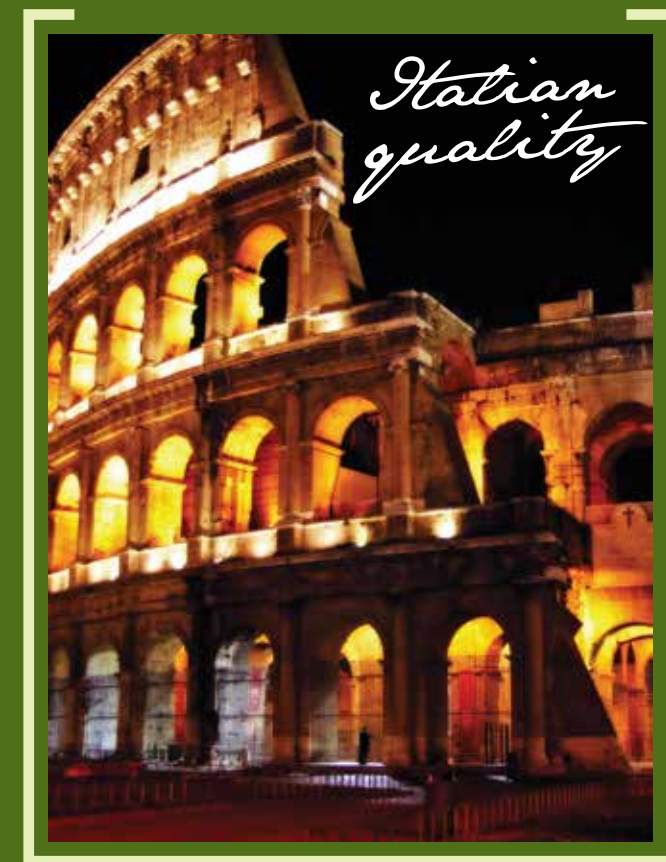


Easy to clean filters.

Dishwasher safe cassette filters are designed for easy cleaning. Simple to remove and replace we suggest placing them in the dishwasher after two months of normal use. Extra filters are available.

All the correct fittings and accessories.

Whether you want to extract through an external wall, through the roof or under the eave, Euro have all the right fittings and accessories to get the maximum efficiency of operation.

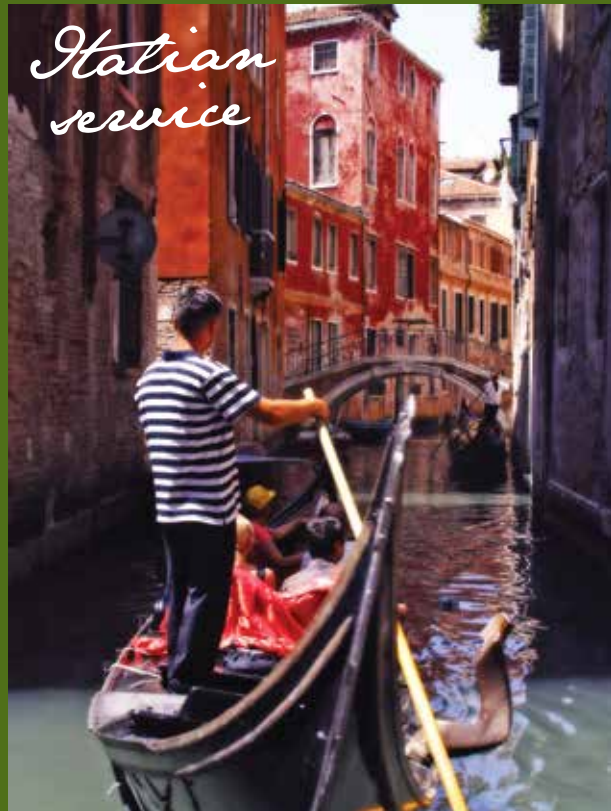


Air Extraction

euroappliances

Tips for better use.

- Leave your range hood on for 15 minutes after the cooking of the food to remove all odours, steam etc.
- It is recommended the range hood be installed between 650mm and 750mm above the cook top
- It is also recommended that fumes from the range hood be ducted out into the atmosphere.



Contents

Designer rangehoods	2
Island canopies	3
Flat canopies	4
Glass canopies	5
Stainless steel canopies	6
Front-vent rangehood	7
Undermount rangehoods	7
Slide-out rangehoods	8
Fixed rangehoods	10
Barbecue rangehoods	11
Dimensions	12

Designer

Euro's three standout designer canopies will be a feature in any kitchen, with high-end controls and quiet operation.



WALL MOUNT BLACK GLASS FRONT CANOPY

E900CBGSX

90CM

- 90cm touch control
- Modern European design
- Touch screen glass inlay
- Halogen downlights
- Extraction capacity: 861 m³/h
- 3 speed levels with tangential fan motor
- 10 minute 4th speed booster
- Flue diameter 150mm
- Equipped with 10 amp plug
- Decibel rating: 54-71(4th speed) dBA



WALL MOUNT INCLINE STAINLESS STEEL CANOPY

EIN90WSX

90CM

- 90cm touch control
- Modern European design
- Touch screen glass inlay
- Halogen downlights
- Extraction capacity: 861 m³/h
- 3 speed levels with tangential fan motor
- 10 minute 4th speed booster
- Flue Diameter 150mm
- Equipped with 10 amp plug
- Decibel rating: 54-71(4th speed) dBA



WALL MOUNT CYLINDER CANOPY

EC45WSX

45CM

- Modern European design
- Halogen downlights
- Extraction capacity: 861m³/h
- 3 speed levels with tangential fan motor
- 10 minute 4th speed booster
- Flue diameter 150mm
- Equipped with 10 amp plug
- Decibel rating: 57-65(4th speed) dBA

FACT.

A tangential fan has a barrel shaped motor that provides greater output and lower background noise than other fan types.



Floating above your island bench, these 90cm canopies perform superbly while looking thoroughly modern.



ISLAND STAINLESS STEEL CANOPY

EP9001SS

90CM

- High flow 850m³/hr extraction capacity
- Stainless steel
- 3 speed levels with tangential fan motor
- Halogen downlights
- Dishwasher safe cassette filters
- 150mm flue diameter
- Equipped with 10 amp plug
- Decibel rating: 50-60dBA



ISLAND STAINLESS STEEL MULTIPLE CANOPY

EGISM9S

90CM

- Soft touch front control buttons
- Multiple layer design
- 3 speed levels with tangential fan motor
- 10 minute 4th speed booster
- 1000m³/hr extraction capacity
- Halogen downlights
- Stainless steel
- 15 minute end timer
- Dishwasher safe cassette filters
- 150mm flue diameter
- Equipped with 10 amp plug
- Decibel rating: 54-71(4th speed) dBA



Contemporary flat design provides the area for large capacity extraction with a clean horizontal design, available as wall mounted or island configurations.



WALL MOUNT STRAIGHT STAINLESS STEEL CANOPY

EP90SWS

90CM

- 3 speed levels with tangential fan motor
- 700m³/hr extraction capacity
- Stainless steel
- Halogen downlights
- Dishwasher safe cassette filters
- Push button front controls
- 150mm air flow outlet
- Equipped with 10 amp plug
- Decibel rating: 50-61 dBA



WALL MOUNT STAINLESS STEEL MULTIPLE CANOPY

EGMU9SS

90CM

- Soft touch front control buttons
- Contemporary straight design
- 3 speed levels with tangential fan motor
- 10 minute 4th speed booster
- 1000m³/hr extraction capacity
- Halogen downlights
- Stainless steel
- 15 minute end timer
- Touch button front controls
- Dishwasher safe cassette filters
- Separate light function
- 150mm flue diameter
- Equipped with 10 amp plug
- Decibel rating: 54-71(4th speed) dBA

Glass

The curved glass canopy brings a special design element to the kitchen, yet the curve is also highly functional in funnelling away steam and cooking odours. High efficiency is also highly attractive.



WALL MOUNT GLASS CANOPY

ERGL70S

70CM

- 3 speed levels with tangential fan motor
- 700m³/hr extraction capacity
- Stainless steel
- Halogen downlights
- Dishwasher safe cassette filters
- Electronic front button controls
- 150mm air flow outlet
- Equipped with 10 amp plug
- Decibel rating: 50-62dBA



WALL MOUNT GLASS CANOPY

ERGL90S

90CM

- 3 speed levels with tangential fan motor
- 700m³/hr extraction capacity
- Stainless Steel
- Halogen downlights
- Dishwasher safe cassette filters
- Electronic front button controls
- 150mm air flow outlet
- Equipped with 10 amp plug
- Decibel rating: 50-62dBA



WALL MOUNT GLASS CANOPY

CM2H90S

90CM

- 3 speed levels with tangential fan motor
- Contemporary curved design
- 10 minute 4th speed motor
- 1000m³/hr extraction capacity
- Stainless steel
- 15 minute end timer
- Electronic front controls digital indicator
- Dishwasher safe cassette filters
- Separate light function
- 150mm flue diameter
- Equipped with 10 amp plug
- Decibel rating: 54-71(4th speed) dBA

Stainless Steel

A strong classic look, the wall mounted canopies are a design feature in any kitchen, With no branding the Euro canopy will match any appliance brand.



WALL MOUNT STAINLESS STEEL CANOPY

ERC60S

60CM

- 3 speed levels with tangential fan motor
- 700m³/hr extraction capacity
- Stainless steel
- Dishwasher safe cassette filters
- Push button front controls
- 150mm air flow outlet
- Equipped with 10 amp plug
- Decibel rating: 52-63dBA



WALL MOUNT STAINLESS STEEL CANOPY

ERC90S

90CM

- 3 speed levels with tangential fan motor
- 700m³/hr extraction capacity
- Stainless steel
- Dishwasher safe cassette filters
- Push button front controls
- 150mm air flow outlet
- Equipped with 10 amp plug
- Decibel rating: 52-63dBA



WALL MOUNT STAINLESS STEEL CANOPY

EC190HS

90CM

- 3 speed levels with tangential fan motor
- High flow 850m³/hr extraction capacity
- Stainless steel
- Halogen downlights
- Dishwasher safe cassette filters
- 150mm flue diameter
- Equipped with 10 amp plug
- Decibel rating: 44-66dBA

Front vent

For use in an apartment or when access to an external wall is not available, or when an outside wall is too far away, this recirculating rangehood is the perfect choice.



FRONT VENTED STAINLESS STEEL RANGEHOOD

ESD60RS

60CM

- Ideal for recirculating
- 3 speed motor
- 215m³/hr extraction capacity
- Stainless steel front fascia
- Carbon filter supplied
- 120mm flue diameter
- Equipped with 10 amp plug
- Decibel rating: 47-62dBA

Undermount

Designed to disappear from view, these rangehoods provide high air flow extraction, yet don't take up space in your kitchen.



UNDERMOUNT STAINLESS STEEL RANGEHOOD

EP52UMS

52CM

- Under mount range hood
- Push button control
- 3 speed motor
- 500m³ / hr extraction capacity
- Stainless steel
- Dishwasher safe cassette filter
- Halogen downlights
- 150mm flue diameter
- Equipped with 10 amp plug
- Decibel rating: 44-52dBA



UNDERMOUNT STAINLESS STEEL RANGEHOOD

EGC7USS

72CM

- Soft touch undermount control panel
- 15 minute end timer
- High flow 850m³/hr extraction capacity
- Stainless steel bottom panel
- Halogen downlights
- 3 speed levels with tangential fan motor
- 4th speed booster
- 150mm flue diameter
- Equipped with 10 amp plug
- Decibel rating: 55-73(4th speed) dBA

Slide-out

Always ready to provide powerful extraction, slide-out rangehoods slide away into your cabinetry. Integrated models allow matching cabinetry for a fully concealed look.



SLIDE-OUT STAINLESS STEEL RANGEHOOD

ES390S

90CM

- Integrated front panel
- 3 speed twin motor
- Quick Flow 400m³/hr extraction capacity
- Stainless steel
- Dishwasher safe cassette filters
 - Automatic light function
- 125mm flue diameter
- Equipped with 10 amp plug
- Decibel rating: 59-70dBA

SLIDE-OUT STAINLESS STEEL RANGEHOOD

ES3PL60S

60CM

- Integrated front panel
- 3 speed levels with tangential fan motor
- Quick flow 850m³/hr extraction capacity
- Stainless steel front fascia
- Dishwasher safe cassette filters
- Halogen downlights
- 150mm flue diameter
- Equipped with 10 amp plug
- Decibel rating: 46-65dBA

SLIDE-OUT STAINLESS STEEL RANGEHOOD

ES3PL90S

90CM

- Integrated front panel
- 3 speed levels with tangential fan motor
- Quick flow 850m³/hr extraction capacity
- Stainless steel front fascia
- Dishwasher safe cassette filters
- Halogen downlights
- 150mm flue diameter
- Equipped with 10 amp plug
- Decibel rating: 46-65dBA

Slide-out



SLIDE-OUT WHITE RANGEHOOD

ESL6002WH

60CM

- White colour front fascia
- Integrated front panel
- 3 speed twin motor
- 440m³/hr extraction capacity
- Dishwasher safe cassette filters
- Non-visible controls system
- New smooth railing system
- Automatic light function
- 125mm flue diameter
- Equipped with 10 amp plug
- Decibel rating: 48-56dBA

SLIDE-OUT STAINLESS STEEL RANGEHOOD

ESL6002S

60CM

- Stainless steel front fascia
- Integrated front panel
- 3 speed twin motor
- 440m³/hr extraction capacity
- Dishwasher safe cassette filters
- Non-visible controls system
- New smooth railing system
- Automatic light function
- 125mm flue diameter
- Equipped with 10 amp plug
- Decibel rating: 48-56dBA

SLIDE-OUT STAINLESS STEEL RANGEHOOD

ES360S

60CM

- Integrated front panel
- 3 speed twin motor
- Quick flow 400m³/hr extraction capacity
- Stainless steel front fascia
- Dishwasher safe cassette filters
- Automatic light function
- 125mm flue diameter
- Equipped with 10 amp plug
- Decibel rating: 59-70dBA

Fixed



Simple to use slide control operation, with a bright rear light, our fixed rangehoods can either be ducted externally or recirculate if needed.



FIXED WHITE RANGEHOOD

RES60WH

60CM

- 3 speed motor
- 240m³/hr extraction capacity
- White enamel
- Dishwasher safe cassette filters
- Front control panel
- Front light control
- Equipped with 10 amp plug
- Decibel rating: 51-65dBA



FIXED STAINLESS STEEL RANGEHOOD

RES60SS

60CM

- 3 speed motor
- 240m³/hr extraction capacity
- Stainless steel front fascia with black enamel body
- Dishwasher safe cassette filters
- Front control panel
- Front light control
- Equipped with 10 amp plug
- Decibel rating: 51-65dBA

Barbecue



With outside rooms becoming more popular, here is a canopy designed to cope with the extra high demands of a barbecue. Twice the extraction capacity thanks to dual motors, plus extra thick filters for greater efficiency.



STAINLESS STEEL BARBECUE CANOPY

E90BCSS

90CM

- Contemporary straight design
- 4 speed twin motor
- 2000m³/hr extraction capacity with dual motor
- Halogen downlights
- Stainless steel
- 10 minute end timer
- 25mm stainless steel baffle filter
- 200mm flue diameter
- Equipped with 10 amp plug
- Decibel rating: 54-71dBA



STAINLESS STEEL BARBECUE CANOPY

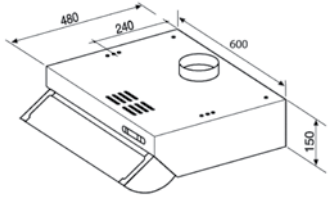
E120BCSS

120CM

- Contemporary straight design
- 4 speed twin motor
- 2000m³/hr extraction capacity with dual motor
- Halogen downlights
- Stainless steel
- 10 minute end timer
- 25mm stainless steel baffle filter
- 200mm flue diameter
- Equipped with 10 amp plug
- Decibel rating: 54-71dBA

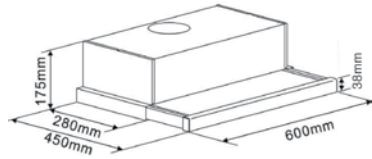
Dimensions

FIXED RANGEHOODS

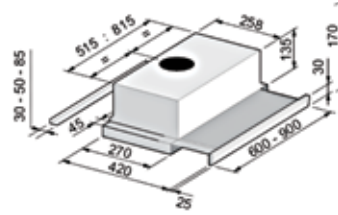


RES60WH and RES60SS

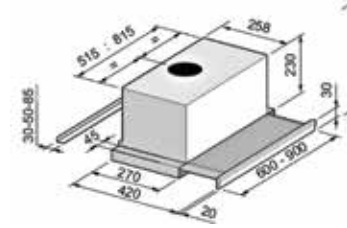
SLIDE-OUT RANGEHOODS



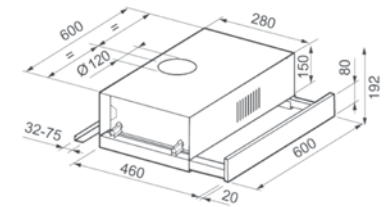
ESL6002WH and ESL6002S



ES360S and ES390S

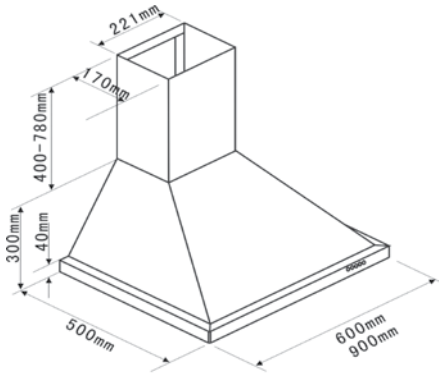


ES3PL60S and ES3PL90S

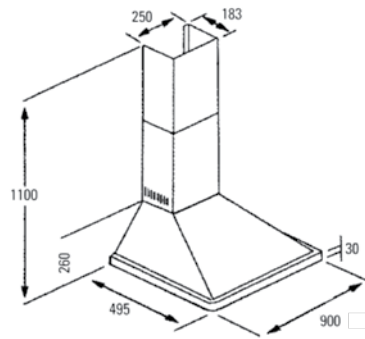


ESD60RS

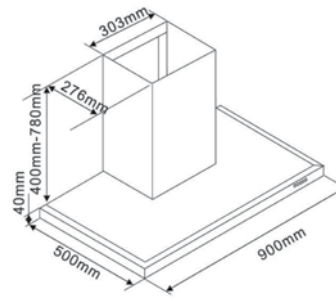
STAINLESS STEEL WALL MOUNTED CANOPIES



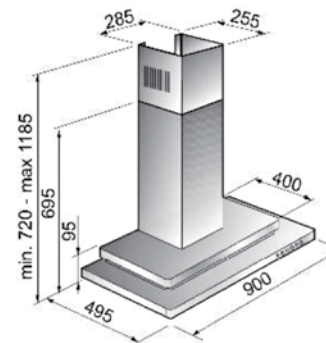
ERC60S and ERC90S



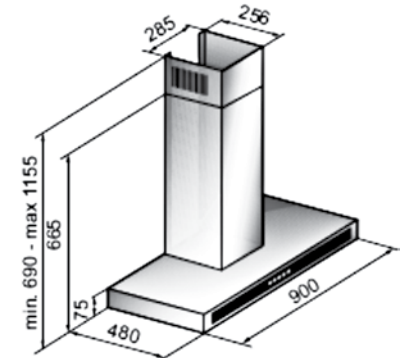
EC190HS



EP90SWS



EGMU9SS



E900CBGSX

ACCESSORIES

RANGEHOOD VENTILATION KITS

RHKE65
Wall-Eave vent kit



RHKMR65
Universal metal
roof kit,
includes flashing



RHKTR65
Universal tile
roof kit,
includes flashing



RHK200E
200mm eave kit
(BBQ)



RHK200W
200mm wall kit
(BBQ)

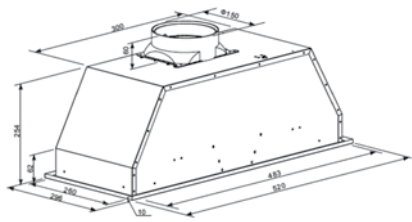


RHK200T
200mm roof kit
(BBQ)

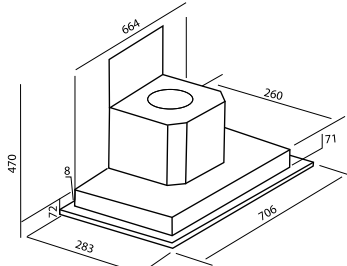


Dimensions

UNDERMOUNT RANGEHOODS

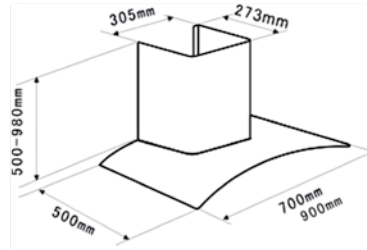


EP52UMS

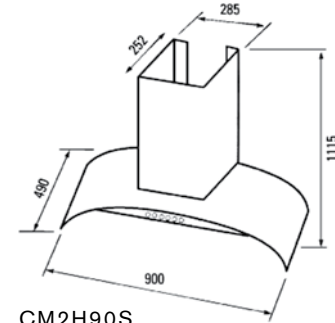


EGC7USS

GLASS WALL MOUNTED CANOPIES

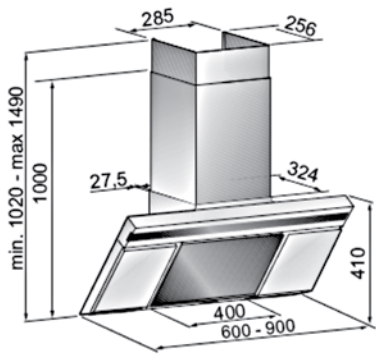


ERGL70S and ERGL90S

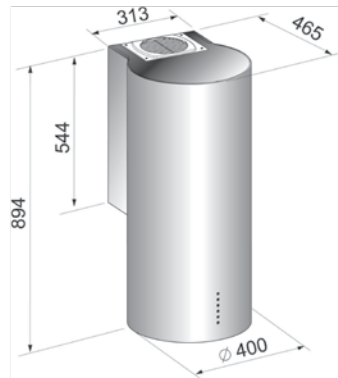


CM2H90S

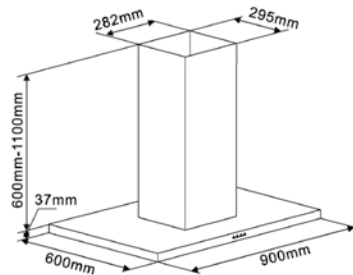
ISLAND CANOPIES



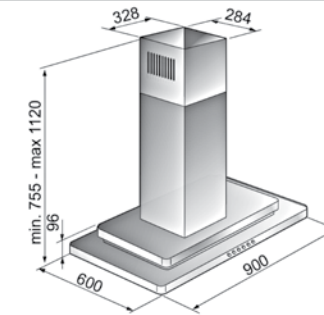
EIN90WSX



EC45WSX

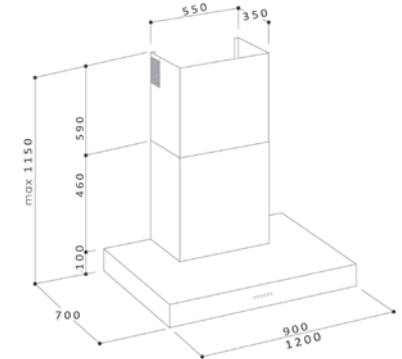


EP900ISS



EGISM9S

BARBEQUE CANOPIES



E90BCSS and E120BCS

CARBON FILTERS

- ACK98498 (2) suits CM2H90S, EIN90WSX, EGISM9S, EGMU9SS, EGC7USS
- ACK98500 (1) suits RES60W, RES60SS, ESD60RS
- ACK98500 (2) suits ES360S, ES3PL60S, ES390S, ES3PL90S, EC190HS, E900CBGSX
- ACK98499 (2) suits EC45WSX
- CF160 (2) suits ERC60S, ERC90S, ERGL70S, ERGL90S, EP90SWS
- CF110 (2) suits ESL6002S, ESL6002WH, ET52UMS
- CF120 (2) suits EP900ISS

Note: Number in brackets indicates how many filters are required for each rangehood.



FLUE EXTENSIONS

- KIT0342 1m flue extension, suits EC190HS
- KIT0343 1m flue extension, suits CM2H90S
- ERCEXT 1m flue extension, suits ERC60S, ERC90S
- ERGLEXT 1m flue extension, suits ERGL70S, ERGL90S
- EPEXT 1m flue extension, suits EP90SWS
- EP90ISEXT 1m flue extension, suits EP900ISS
- KIT0344 1m flue extension, suits EIN90WSX
- ACK98501 1m flue extension, suits EGMU9SS, E900CBGSX



Air Extraction

Fresh air solutions

For further information or store locations please contact Customer Care: 1800 440 335.

admin@eurostylegroup.com.au

Head Office (08) 8165 1012

www.eurostylegroup.com.au

Follow us on Facebook at: [euroappliances](https://www.facebook.com/euroappliances)



January 2014

