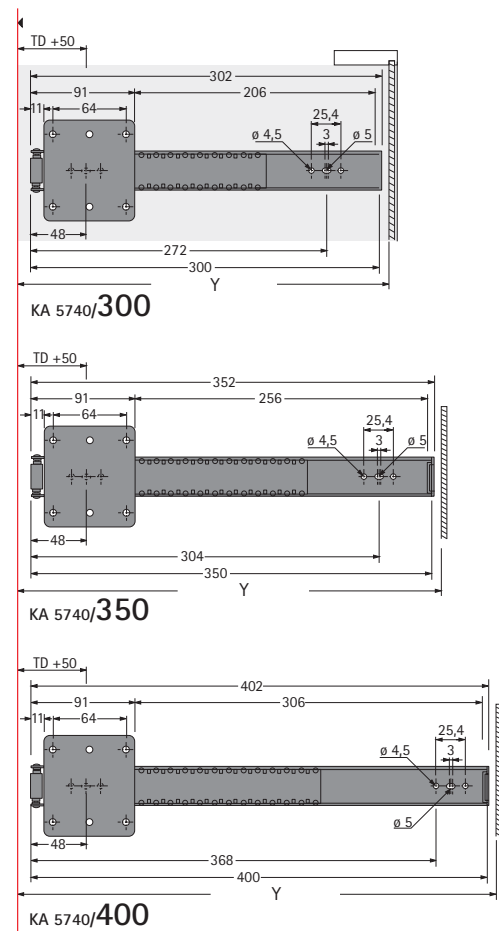
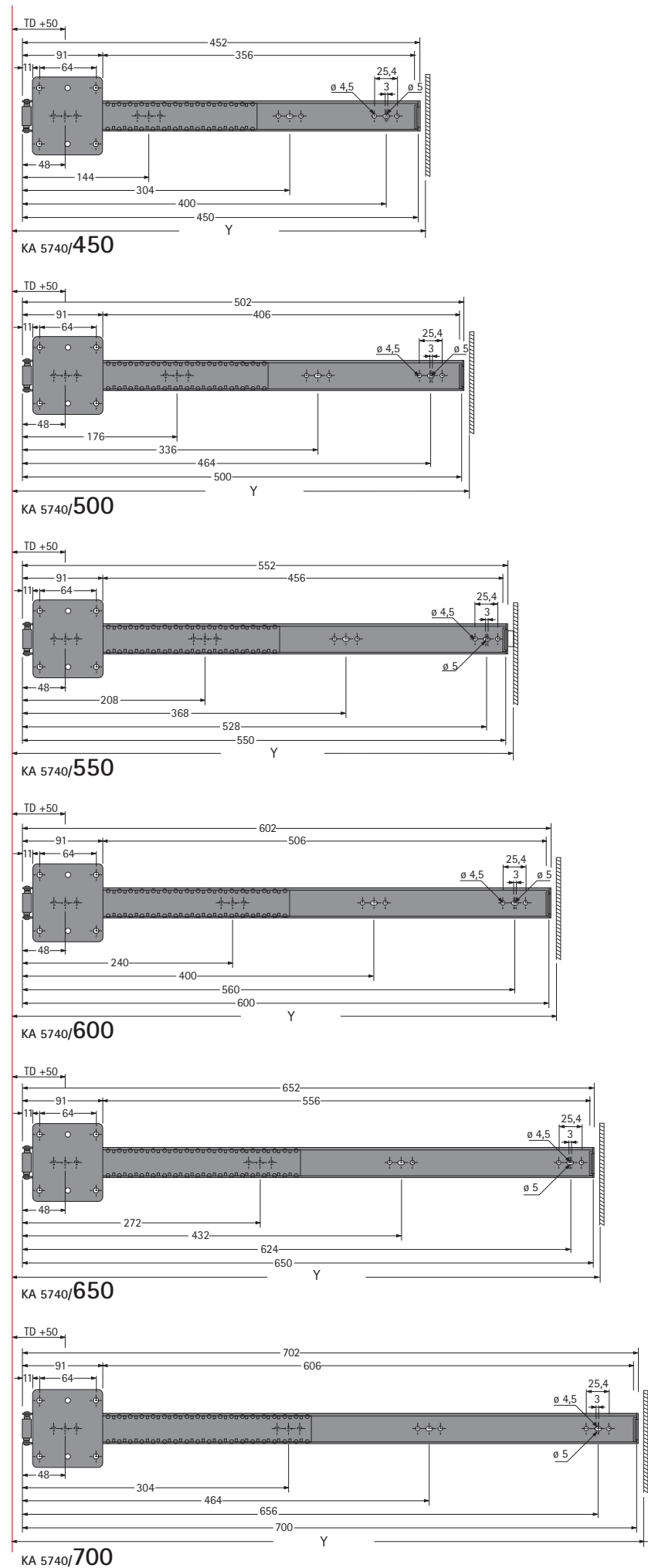


Bohrposition für Schubkästen (mm)  
Hole pattern for drawers (mm)



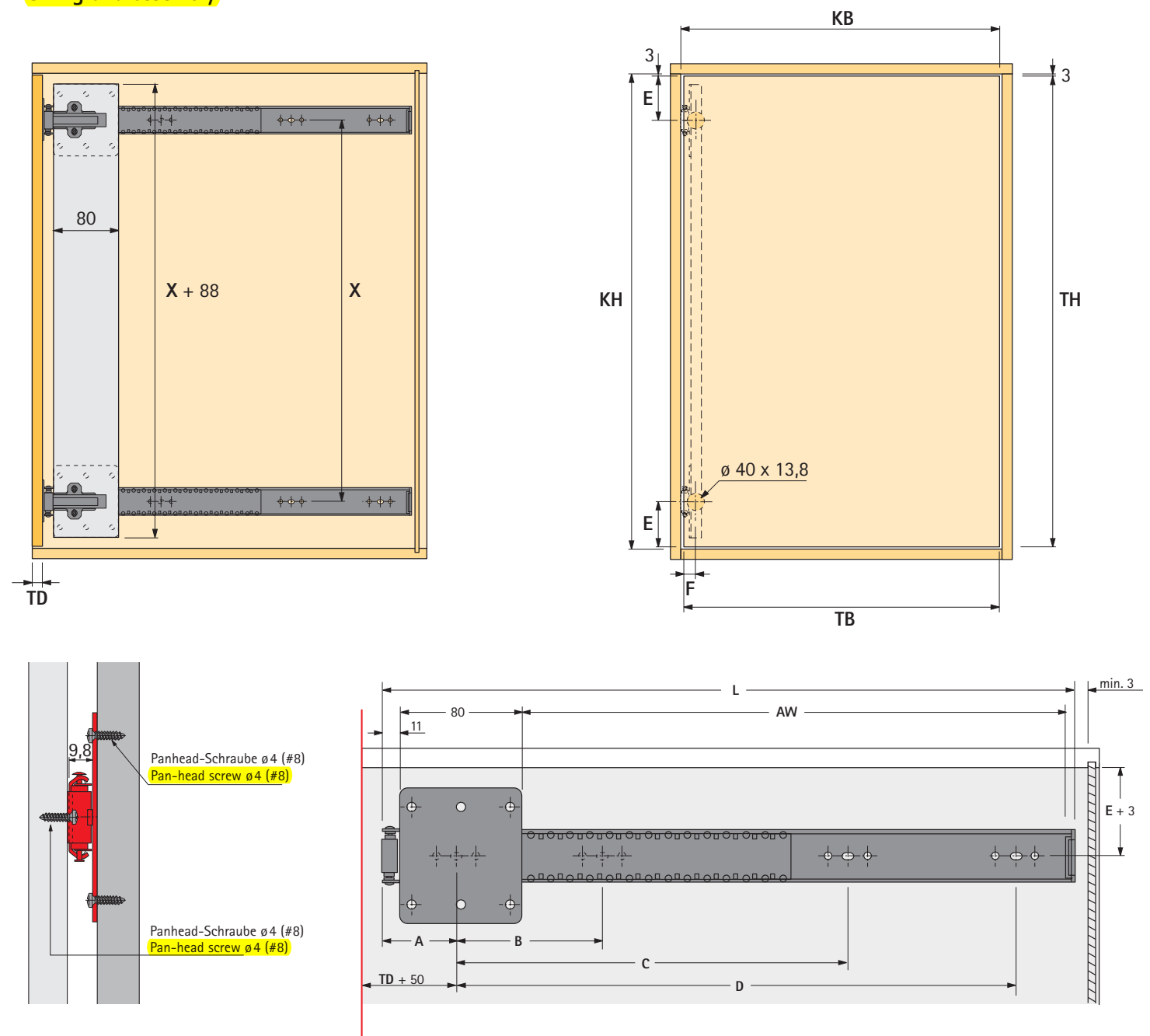
Y = Mindestkorpustiefe  
Min. cabinet depth

Montageanleitung / Assembly

KA 5740

Für Drehschiebetür-Anwendung zum Anschrauben  
For pocket door application Screw-on assembly

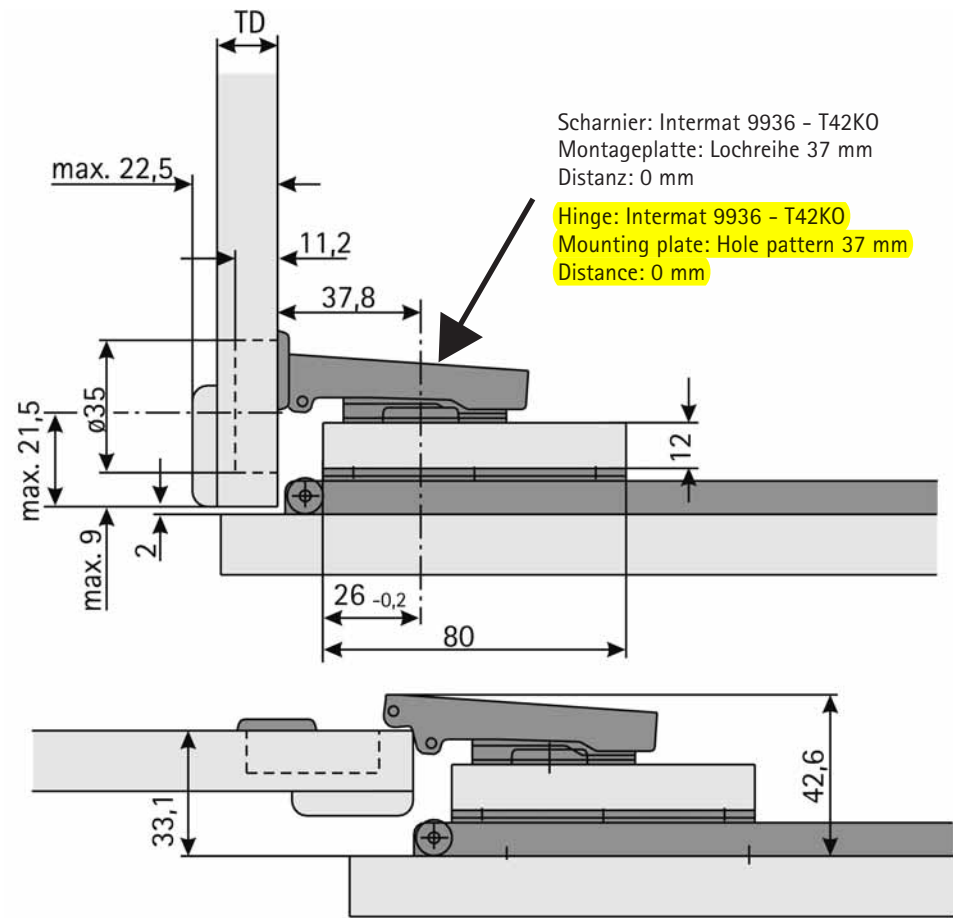
Schnitt- und Montagehinweis  
Sizing and assembly



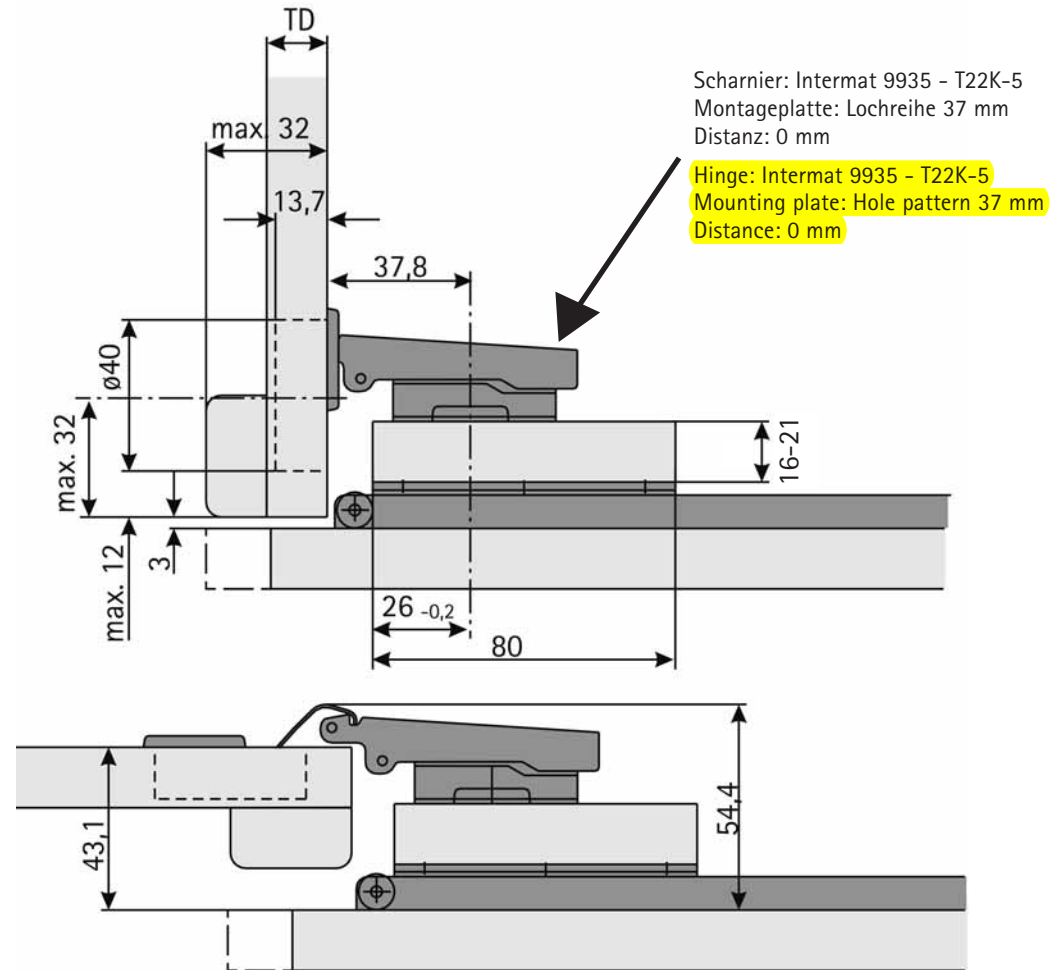
| Sizes in mm |       |    |     |     |     |        |
|-------------|-------|----|-----|-----|-----|--------|
| L           | AW    | A  | B   | C   | D   | TB     |
| 300         | 205,5 | 48 | -   | -   | 272 | <AW+TD |
| 350         | 255,5 | 48 | -   | -   | 304 | <AW+TD |
| 400         | 305,5 | 48 | -   | -   | 368 | <AW+TD |
| 450         | 355,5 | 48 | 144 | 304 | 400 | <AW+TD |
| 500         | 405,5 | 48 | 176 | 336 | 464 | <AW+TD |
| 550         | 455,5 | 48 | 208 | 368 | 528 | <AW+TD |
| 600         | 505,5 | 48 | 240 | 400 | 550 | <AW+TD |
| 650         | 555,5 | 48 | 272 | 432 | 624 | <AW+TD |
| 700         | 605,5 | 48 | 304 | 464 | 656 | <AW+TD |

|                                  |                                |
|----------------------------------|--------------------------------|
| E                                | min. 60 mm                     |
| TH                               | KH - 2 x 3 mm (TH max. 900 mm) |
| X                                | TH - 2E                        |
| TB                               | KB - 2 x 3 mm                  |
| Kt <sub>min. cabinet depth</sub> | L + (TD + 2 mm) + min. 3 mm    |

Anwendung 1 (Distanzplatte 12 mm)  
 Application 1 (Follow strip 12 mm)



Anwendung 2 (Distanzplatte 16 - 21 mm)  
 Application 2 (Follow strip 16 - 21 mm)



Montagefolge  
 Assembly steps

