

### Application

For built-in furniture doors sliding on a single track, i.e. wardrobes and cupboards in residential applications.

Easy door height adjustment.

Silent operation - nylon wheeled bearing hangers and aluminium track.

### Door Specification

Track System:	Wardrobe Single 50
For Individual Doors:	
Max Door Height	2400mm
Max Door Width	900mm
Max Door Weight	50kg
Door Thickness	16-35mm

Lightly framed timber doors or doors made from medium density fibreboard (MDF) must have provision for hangers to be screwed securely to the back face of the doors

### Standard Sets and Packs

Sets comprise top track, hangers, door stop(s), sawcut guide(s), all screws and fitting instructions.

#### Wardrobe Single 50:

Set No.	Opening width	Track Length	Hardware for
WS50-12/1	600mm	1200mm	1 door
WS50-15/1	750mm	1500mm	1 door
WS50-18/1	900mm	1800mm	1 door

Pack No.	Application
WS50-1PK	Pack of fittings only, without track.

### Hardware Specification

Track :	51
Material	Aluminium
Standard lengths	1200mm, 1500mm, 1800mm, 2400mm, 3000mm and 3600mm

**Hangers (2 per door):** 550, 551, 552  
Nylon tyred ball race wheel with zinc plated plates face fitted to the back of the door. Vertical adjustment 10mm.

**Door Stop:** 28N  
Nylon safety door stop prevents fingers being jammed on bi-passing doors.

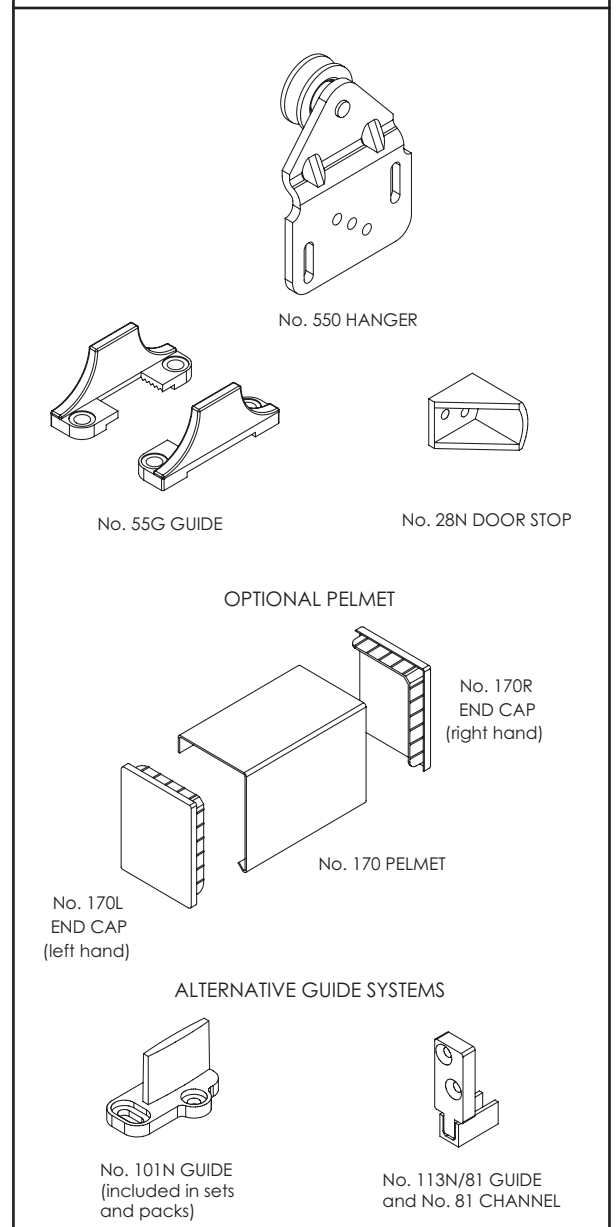
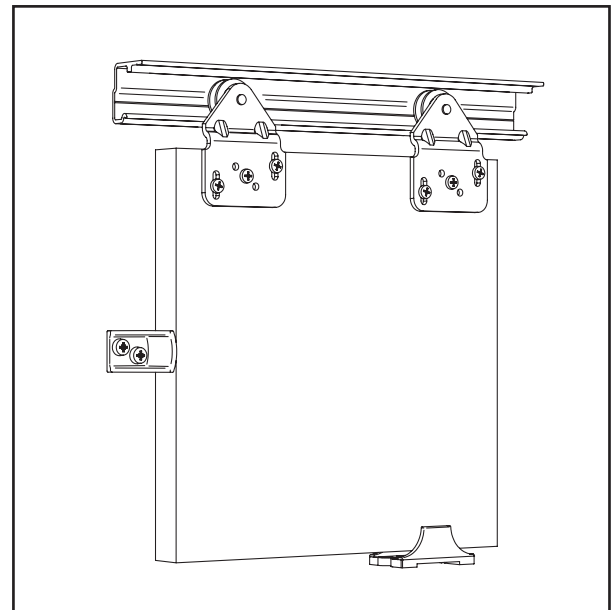
**Guide:** 55G  
Nylon surface-fixed guide included in sets and packs. Alternative guides available, as shown here and overleaf.

Alternative Guide 101N  
Nylon sawcut guide. Alternative to 55G nylon guide.

**Accessories:**  
Channel and Guide 81 and 113N/81  
113N/81 guides in white nylon. For heavy duty applications or where more than 3 doors are required per opening. 81 channel, aluminium, available in 1200mm, 1500mm, 1800mm, 2400mm, 3000mm and 3600mm lengths.

Pelmet 170  
Pelmet in pearl white on aluminium. Hooks onto track, no screws required. Supplied with End Caps. Available in 1800mm and 3050mm lengths.

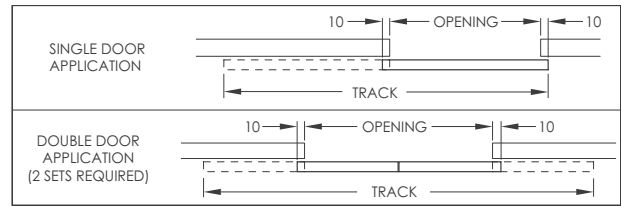
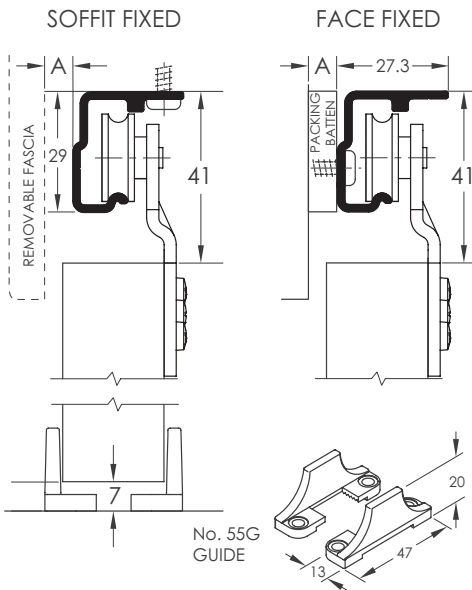
End Caps 170C  
Made from high impact polystyrene. The End Caps are a push-fit onto the pelmet.



DOOR THICKNESS	19	22	25	29	32	35	38	40
DIMENSION 'A'	-	4	7	11	14	17	20	22

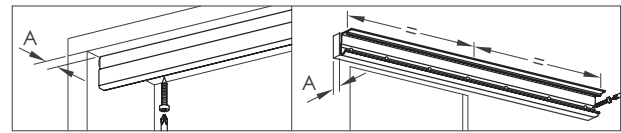
### 1 Prepare Doors

Door width = (Opening width / No. of Doors) + 10mm (Overlap)  
 For single doors + 10mm overlap each end.  
 Door height = Opening height less 53mm.  
 Track length = 2 x Opening width + Overlap.

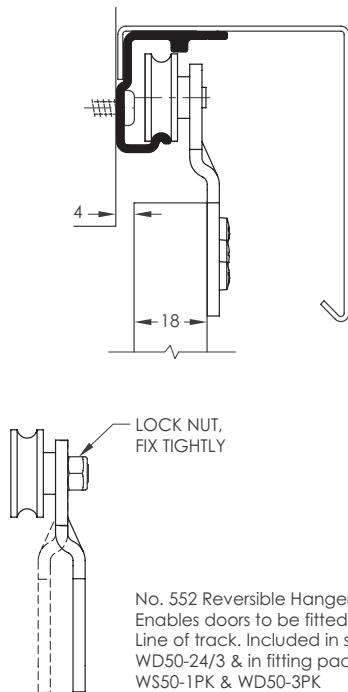


### 2 Fit Track

Door thickness determines dimension 'A' - see table.  
 Face fix- Fit track parallel to floor, Packing batten 'A' mm thick.  
 Soffit fix- Fit track 'A' mm from the outside edge of a level and flat lintel.

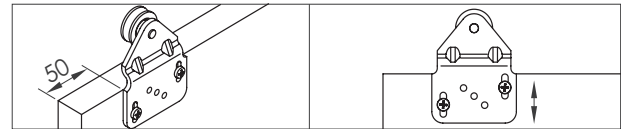


### TYPICAL APPLICATION WITH OPTIONAL 170 PELMET



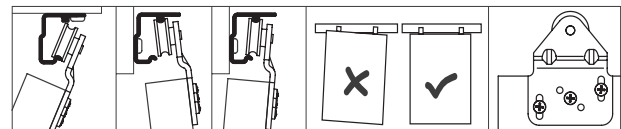
### 3 Fix Hardware to Door

Align the plate shoulder level with top edge of the door.  
 Screw 2 screws only in the centre of the slotted holes to give ±5mm vertical adjustment.



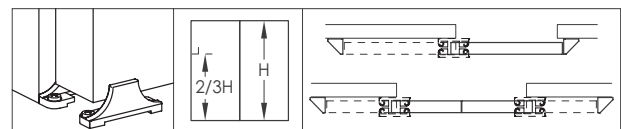
### 4 Fit Door & Adjust

Hook door onto track. Adjust hangers to obtain maximum floor clearance. When doors are hanging plumb and square fit a 3rd screw into one of the hanger locating holes.

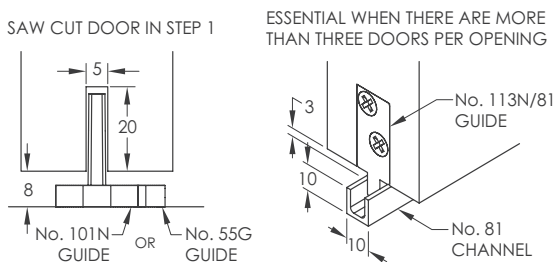


### 5 Fit Guide & Door Stop

With door hanging plumb fix guide to overlapping area of opening.  
 Screw holes facing inward under door. Doors under 18 thick screw holes facing outward. Position door stop 2/3 of door height.



### ALTERNATIVE FLOOR GUIDES



### 6 Optional Pelmet

The Pelmet hooks onto the track and the End Caps simply "Push Fit" into position. For face fix only. Notch packing batten for a closer fit to door.

