

DWD XP pot drawer

Drawer sides, height 95 mm, front fixing and holder for high wooden drawer backs.



- Bottom fixing with screws or knock-in claws
- Integrated removal and transport protection
- Same width for bottom and drawer back
- Front fixing made of zinc die-casting
- 2-dimensional front adjustment with height adjustment

1 DWD XP drawer sides H95



Nominal length (NL)	Item No. alu-metallic		Item No. stainless steel
350	6100.350.17	6105.350.17	6105.350.40
400	6100.400.17	6105.400.17	6105.400.40
450	6100.450.17	6105.450.17	6105.450.40
500	6100.500.17	6105.500.17	6105.500.40
550	6100.550.17	6105.550.17	6105.550.40
600	6100.600.17	6105.600.17	-
650	6100.650.17	6105.650.17	-
PU/packaging unit	PU 1	PU 20	PU 20

PU 1 = 1 set / drawer sides left and right with cover caps

Nominal length 300 mm on request

PU 20 = 20 drawer sides left and right in separate cartons, including cover caps

Imprinted cover caps on request

2 Holder set for wooden drawer back H182



	Item No. alu-metallic		Item No. nickel plated
Height 182	6773.17.VE1	6773.17.VE200	6773.15.VE1
PU/packaging unit	PU 1/100	PU 200	PU 1/100

PU 1/100 = 1 set (left/right) per bag / 100 sets per carton

PU 200 = 200 sets (left/right) loose in separate cartons

3 Front fixing

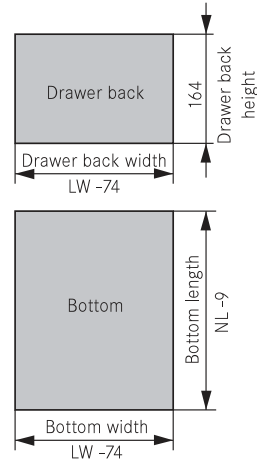
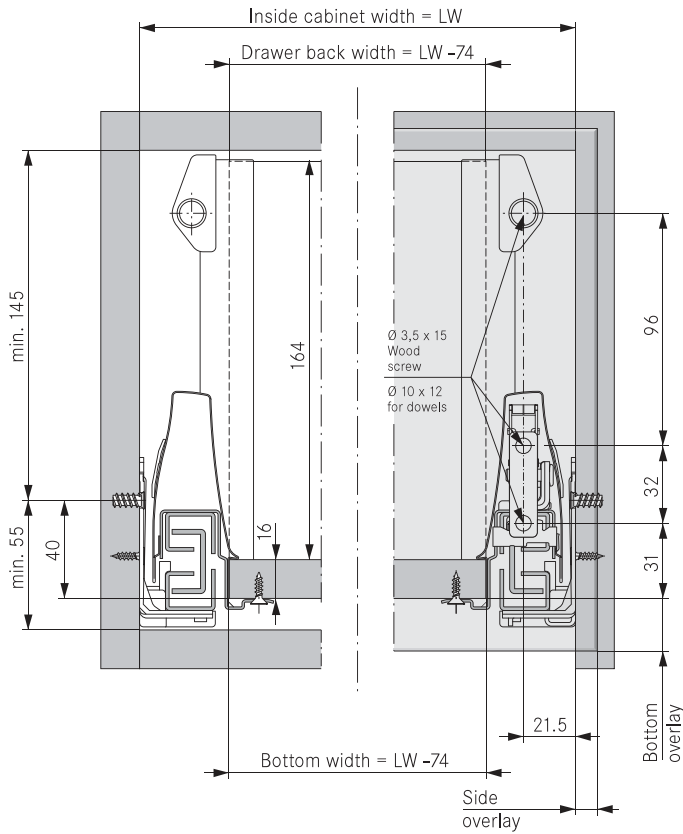


	Item no
Screw-on	6850.VE400
Dowel	6860.VE400
Expanding dowel	6865.VE400
PU/packaging unit	PU 400

PU 400 = 400 pcs. loose in carton

DWD XP steel drawer backs	page 20	DWD XP railing	page 22 – 25	Assembly aids	page 50 – 55
Dynamic XP full-extension runners	page 44 – 49	DWD XP add-on systems	page 26 – 31	Technical information	page 64 – 67

Mounting positions **Cutting dimensions based on 16 mm particle board**



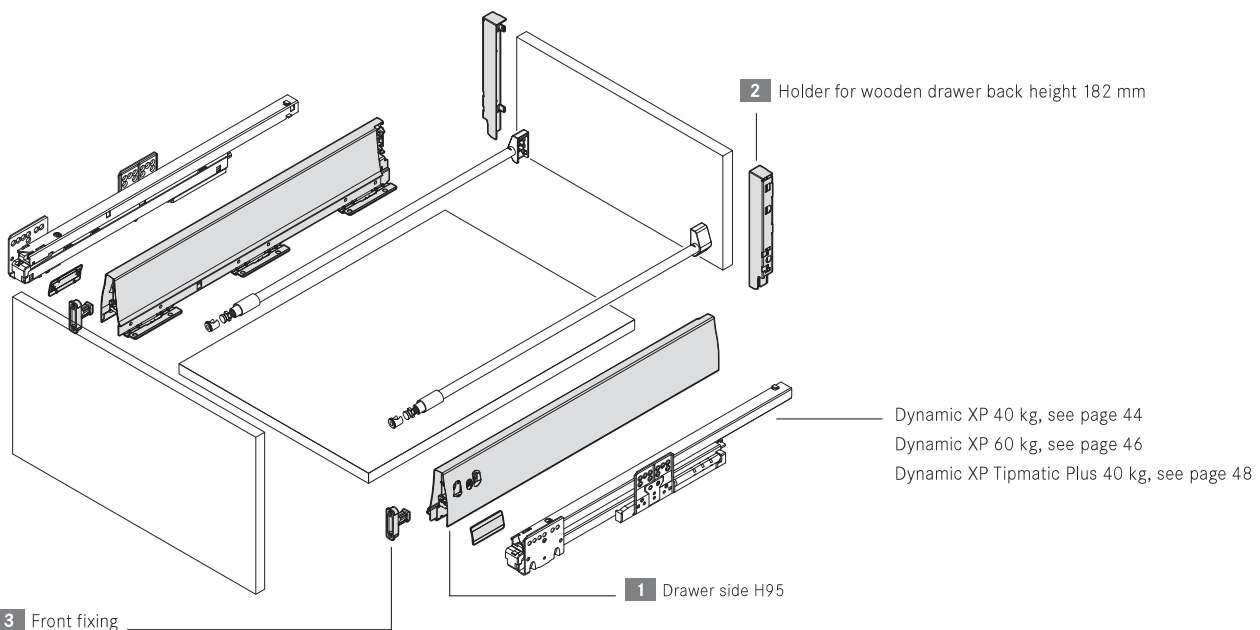
Minimum installation depth = NL + 9
NL = Nominal length of runner

Usage instructions:

Front fastening with press-in dowels

When using front fixings with press-in dowels, the front holes must be appropriately countersunk. The sharp edges produced when drilling into hard surface coatings, e.g. melamine, can damage some of the dowel ribs when they are pressed in. This can significantly reduce the holding strength. Alternatively, front fixings with expanding dowels can be used, which do not require any countersinking and still guarantee optimal holding strength.

Pot drawer with wooden drawer back



For fixing to cabinet side we recommend special Euro screws 191 and 192, see page 55

All dimensions in millimetres.

System information
Drawers Pot drawers
Add-on systems
Dividing systems
Railing for suspension files
Dynamic XP drawer runners
Accessories Assembly aids
Application examples
Technical Information