



DWD XP Standard inset drawer

Front profile and front fixing.





- Front profile made of high-quality coated aluminium
- Simple cut to wanted cabinet widths
- Plastic front panel holder is easy to fit
- Colour matched to drawer sides

Standard colours

-  alu-metallic
-  stainless steel look

Special colours (on request)

-  champagne
-  white

1 Front profile



Cabinet width (cabinet side S16)	Item No. alu-metallic	Item No. stainless steel look
600	6800.477.17	-
1200	6800.1077.17	6800.1077.42
PU/packaging unit	PU 20	PU 20

Front profiles for cutting to size.

Pre-cut front profiles available upon request.

2 Front fixing

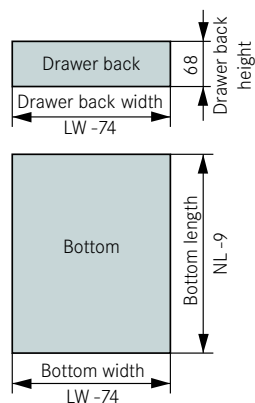
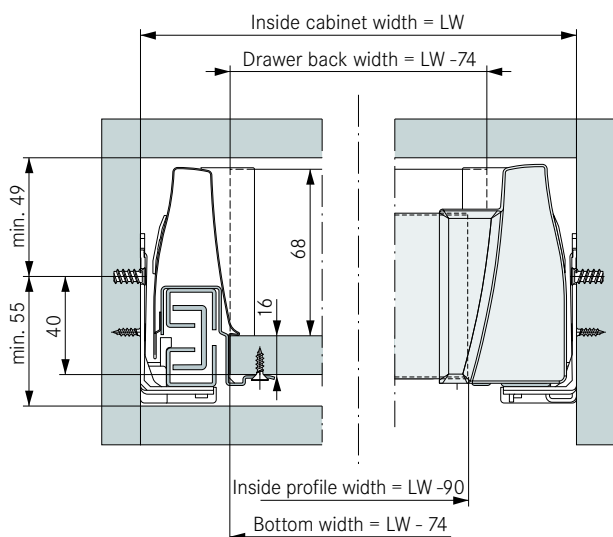


	Item No. alu-grey
	6800.32
PU/packaging unit	PU 1/40

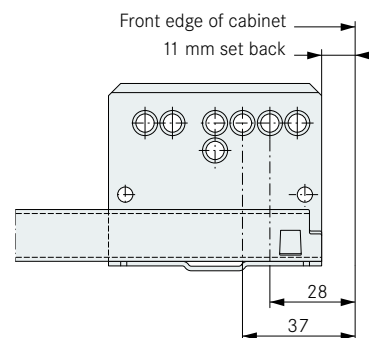
PU 1/40 = 1 set per bag consisting of: front fixing (left / right) incl. screws / 40 sets per carton

Mounting positions

Cutting dimensions based on 16 mm particle board

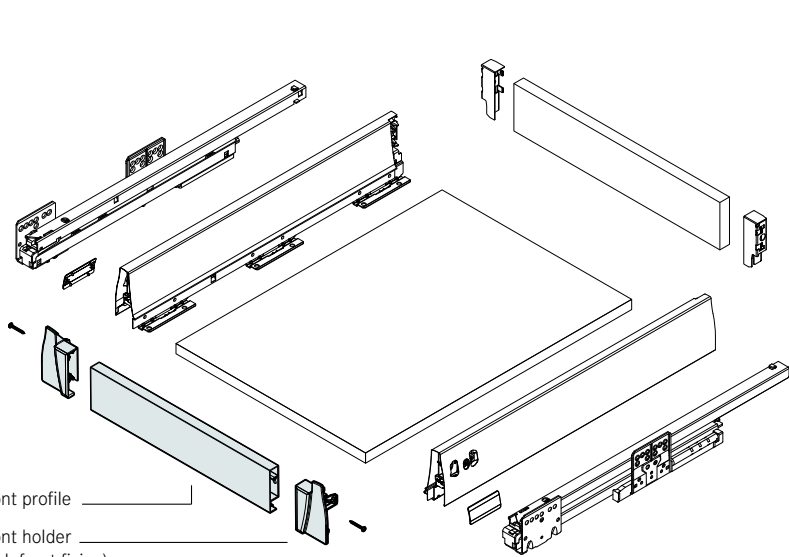


Minimum installation depth = NL + 9 mm
NL = Nominal length of runner

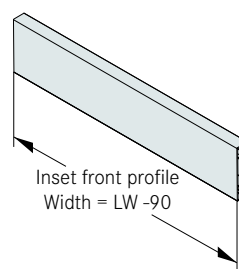


Inset drawer

Cutting dimensions for front profile



- 1 Front profile
- 2 Front holder (incl. front fixing)



DWD XP Standard

DWD XP Sidewood

DWD XP Agantis

Organizing systems

Dynamic XP drawer slides

Accessories Assembly aids

Index