

# MODEL AMG28TKB



28L BLACK MICROWAVE TRIM



24 MONTH  
WARRANTY



60CM



5 POWER  
LEVELS



CHILD  
LOCK

## PRODUCT INFORMATION

- 28L cavity size
- 900W microwave power
- 8 auto-cooking options with automatic weight settings
- 5 Power lever
- Child safety lock
- Speedy cooking
- Stainless steel cavity
- Black front panel & trim kit-4mm gap
- Silver housing cabinet
- defrost by time & weight
- quick start
- LED display
- push handle
- Unit dimension with trim (WxHxD):  
595\*388\*400 mm



EAN 9347777002846

AR250319

### DISCLAIMER

Eurolinx PTY LTD, is continually seeking ways to improve the design specifications, aesthetics and production techniques of its products. As a result alterations to our products and designs take place continually. Whilst every effort is made to produce information and literature that is up to date, this brochure should not be regarded as an infallible guide to the current specifications, nor does it constitute an offer for the sale of any particular product. Product dimensions indicated in our literature is indicative only. Actual product only should be used to define dimension cut outs. Distributors, and retailers are not agents of Eurolinx and are not authorized to bind Eurolinx by any express or implied undertaking or representation.

**FOLLOW US ON:**  [instagram.com/artusi\\_appliances](https://www.instagram.com/artusi_appliances)

 [www.linkedin.com/company/eurolinx-pty-ltd-t-a-llve/](https://www.linkedin.com/company/eurolinx-pty-ltd-t-a-llve/)

Australia National Telephone Number 1300 (694 583) New Zealand Telephone Number 64 3 344 5913  
Artusi showroom hours: Tuesday to Friday - 9am-5pm, Saturday - 10am-4pm, Sunday and Monday - closed  
\* Melbourne showroom hours: Tuesday to Saturday - 10am-4pm

[artusi.com.au](https://www.artusi.com.au)

**NSW & ACT (Head Office)**  
48-50 Moore Street  
Leichhardt  
F 02 8569 4699

**VIC & SA**  
1211 Toorak Road  
Camberwell  
F 03 9809 2155

**QLD**  
1/42 Cavendish Road  
Coorparoo  
F 07 3397 0850

**WA & NT**  
Unit 10/55 Howe Street  
Osborne Park  
F 08 9201 9188

**New Zealand**  
PO Box 11,160  
Sockburn Christchurch  
F 03 344 5906

# MODEL AMG28TKB



28L BLACK MICROWAVE TRIM



24 MONTH  
WARRANTY



60CM

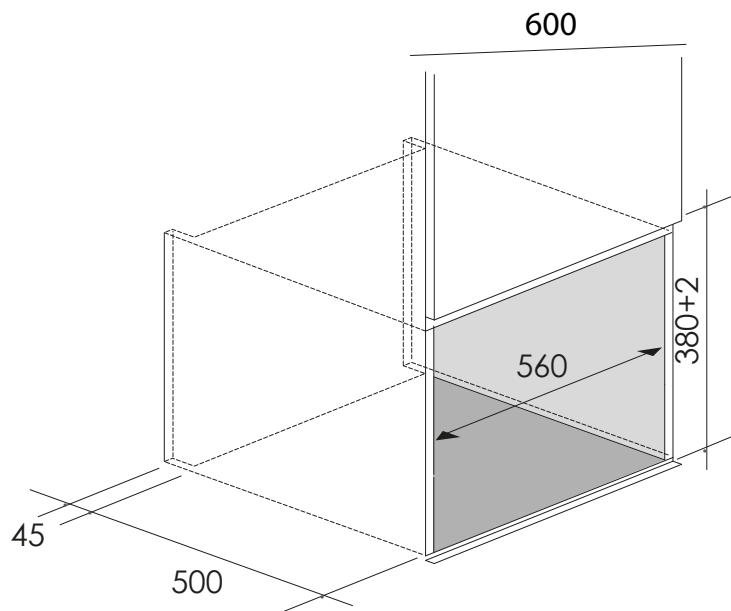
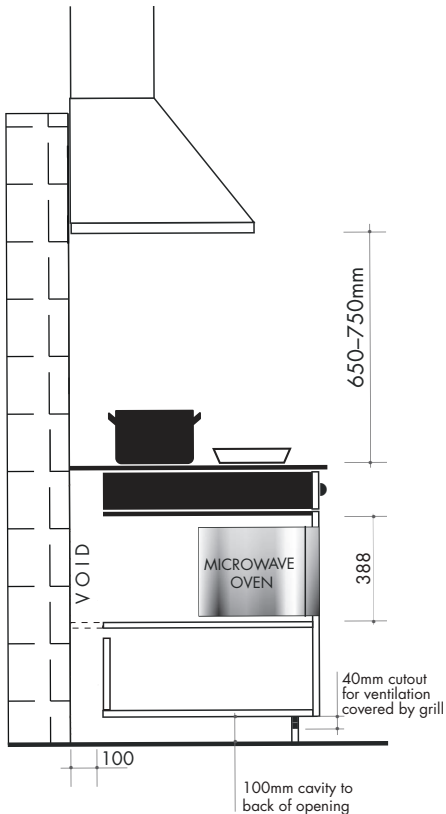


5 POWER  
LEVELS



CHILD  
LOCK

## TECHNICAL DIAGRAM



NB: drawings are not to scale — they are to be used for detailed installation instructions, please refer to user guide.

**EAN 9347777002846**

AR250319

### DISCLAIMER

Eurolinx PTY LTD, is continually seeking ways to improve the design specifications, aesthetics and production techniques of its products. As a result alterations to our products and designs take place continually. Whilst every effort is made to produce information and literature that is up to date, this brochure should not be regarded as an infallible guide to the current specifications, nor does it constitute an offer for the sale of any particular product. Product dimensions indicated in our literature is indicative only. Actual product only should be used to define dimension cut outs. Distributors, and retailers are not agents of Eurolinx and are not authorized to bind Eurolinx by any express or implied undertaking or representation.

AMG28TKB 28L Black Microwave trim  
(WxHxD): 595\*388\*400 mm  
Cutout: 568x382mm  
10 AMP plug & lead

**FOLLOW US ON:** [instagram.com/artusi\\_appliances](https://www.instagram.com/artusi_appliances)

[www.linkedin.com/company/eurolinx-pty-ltd-t-a-lve/](https://www.linkedin.com/company/eurolinx-pty-ltd-t-a-lve/)

Australia National Telephone Number 1300 (694 583) New Zealand Telephone Number 64 3 344 5913  
Artusi showroom hours: Tuesday to Friday - 9am-5pm, Saturday - 10am-4pm, Sunday and Monday - closed  
\* Melbourne showroom hours: Tuesday to Saturday - 10am-4pm

[artusi.com.au](https://www.artusi.com.au)

**NSW & ACT (Head Office)**  
48-50 Moore Street  
Leichhardt  
F 02 8569 4699

**VIC & SA**  
1211 Toorak Road  
Camberwell  
F 03 9809 2155

**QLD**  
1/42 Cavendish Road  
Coorparoo  
F 07 3397 0850

**WA & NT**  
Unit 10/55 Howe Street  
Osborne Park  
F 08 9201 9188

**New Zealand**  
PO Box 11,160  
Sockburn Christchurch  
F 03 344 5906