

Please retain this sheet for future reference.

PARTS LIST:

- 1x Lid
- 1x Backing Plate
- 1x Bin Body
- 1x Cord Clamp
- 1x Instruction Sheet
- 1x Cord
- 1x Nut
- 1x Clamp Screw
- 2x 8g x 15mm CS Screw
- 4x 8g x 12mm Pan Head Screw

Installation

1. Position bin on door allowing clearance for lid to open. Where lid clearance is minimal, position bin further out from hinge side of door so lid closes well before door is closed.

Note: Ensure there is enough cord length for the position chosen.

2. Position backing plate on door. Mark screw holes through backing plate and drill four 2mm holes. Make sure drill and/or screws do not penetrate front surface.

3. Fix backing plate in place using 4x 8g x 12mm Pan Head screws supplied.

4. Position cord clamp on cabinet approx. 25mm from edge making sure clamping groove is in line with cord exit on backing plate, mark and drill two 2mm holes.

5. Fit nut supplied in position in back of clamp and screw in place with 2x 8g x 15mm CS screws supplied.

6. Fit cord to lid as per Fig. 2. Feed cord behind backing plate and out through side exit. Spring lid over hinges.

7. Feed cord into clamp. Fold clamp and lightly tighten clamp screw supplied (Fig. 3).

8. Open door to normal position. Pull cord through clamp and tighten clamp screw to adjust lid position.

9. Clip on bucket as per Fig. 4.

Note: If door opens more than 110°, a check strap should be fitted to prevent door opening too far.

How To Care For Your New Kimberley Waste Bin

1. Please make sure you thoroughly read and understand the installation instructions and follow them carefully.

2. For best results and longevity, always use a bin liner inside your waste bin.

3. Always make sure the liner is fitted without obstructing any of the waste bins moving parts.

4. Do not overload your waste bin.

5. Do not push the rubbish down to try to compact your waste.

6. Do not place heavy items on top of the bin lid.

7. Never try to close your waste bin with your feet.

8. Never force the waste bin closed.

9. Clean the interior and exterior of the waste bin regularly using a soft cloth and warm mild soapy water. Do not use harsh detergents.

10. Use a soft cloth to dry the waste bin after washing.

11. Thoroughly dry metal components to avoid rust and damage.

12. Do not use the bin outside or expose to the weather.

13. Do not place waste bin near a heater or hot device.

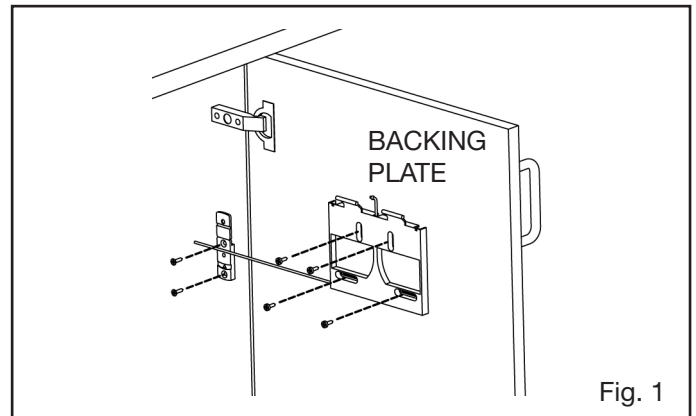


Fig. 1

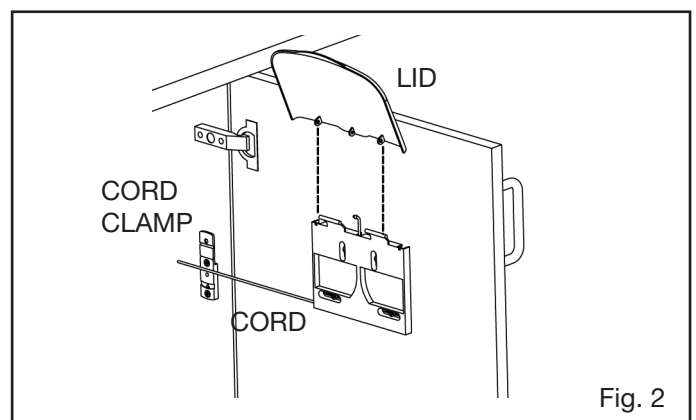


Fig. 2

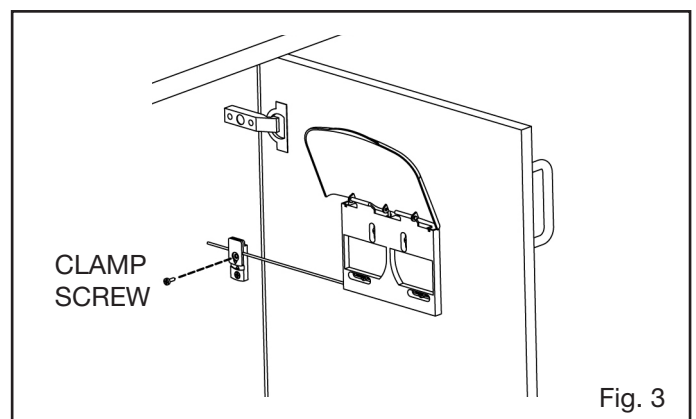


Fig. 3

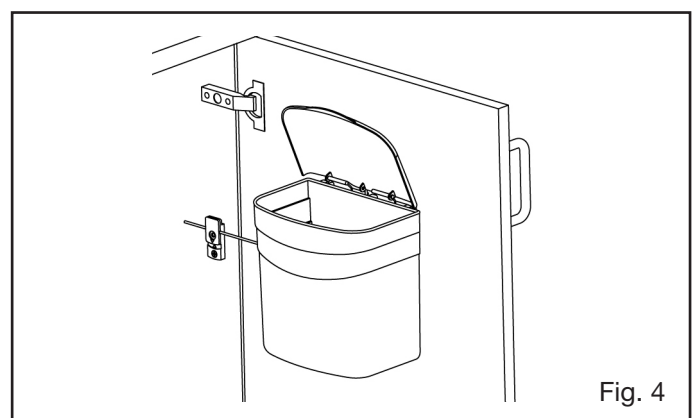


Fig. 4