
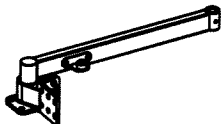
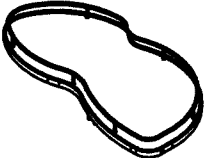
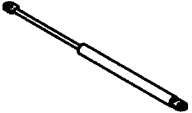


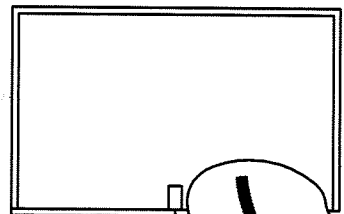
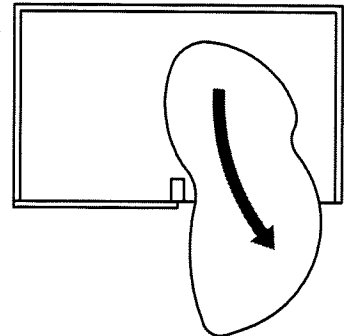
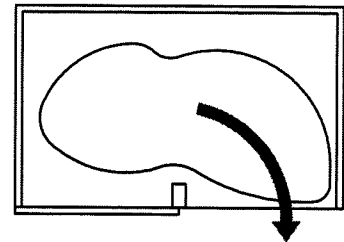
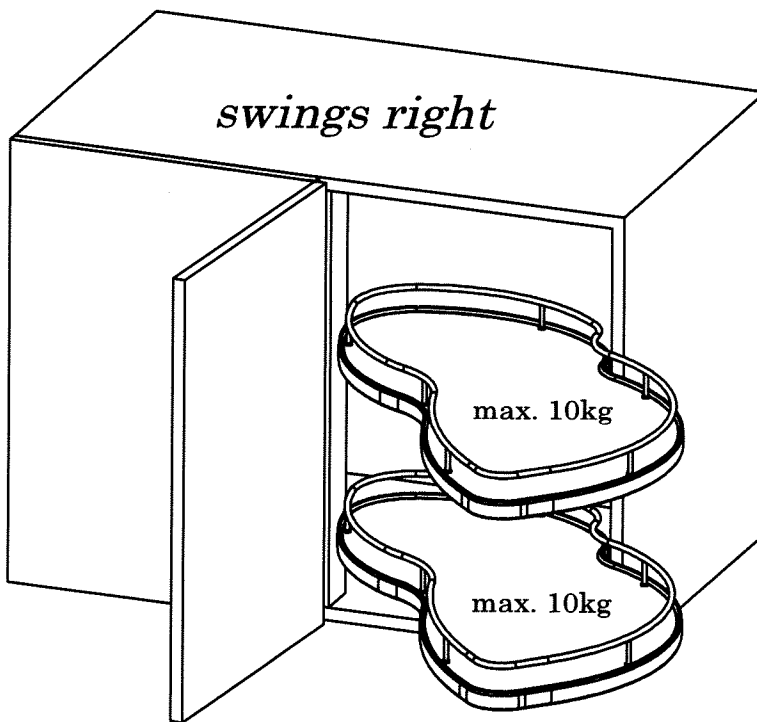


INSTALL INSTRUCTION

for right door

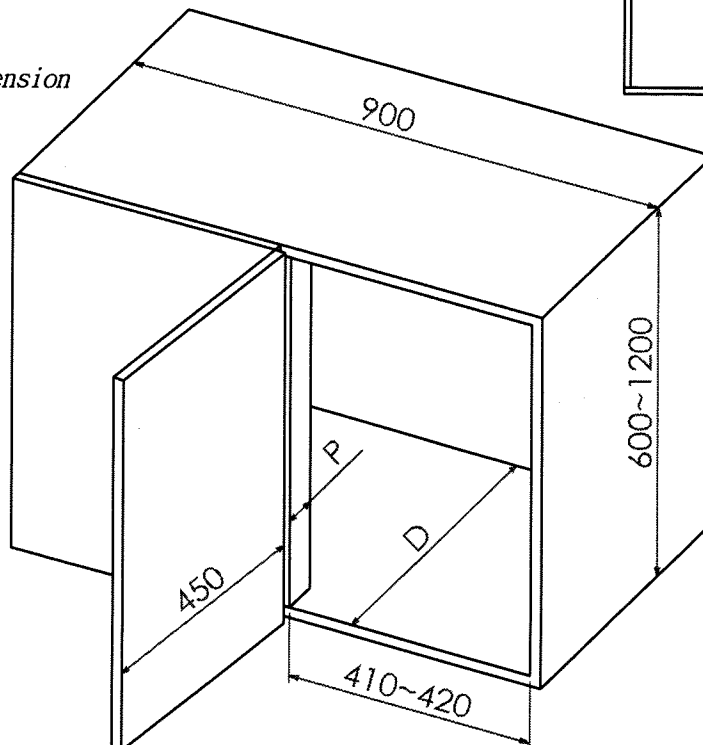
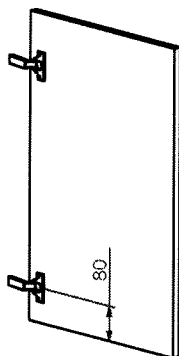
contents

A	B	C	D	E	F
external swivel arm	internal swivel arm	shelf	gas piston	M5*8 flat screw	screw
					
2 pc	2 pc	2 pcs	2 pcs	4 pcs	30 pcs



required carcass dimension
(mm)

Hinges locations



D=500 ⇔ P≤55

D=510 ⇔ P≤65

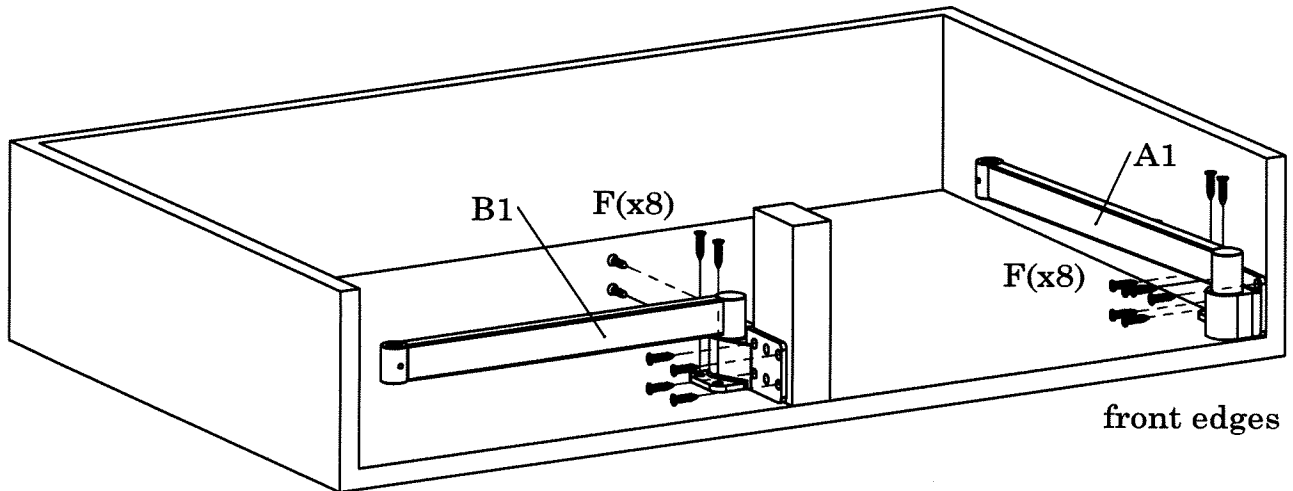
D=520 ⇔ P≤75

D=530 ⇔ P≤80

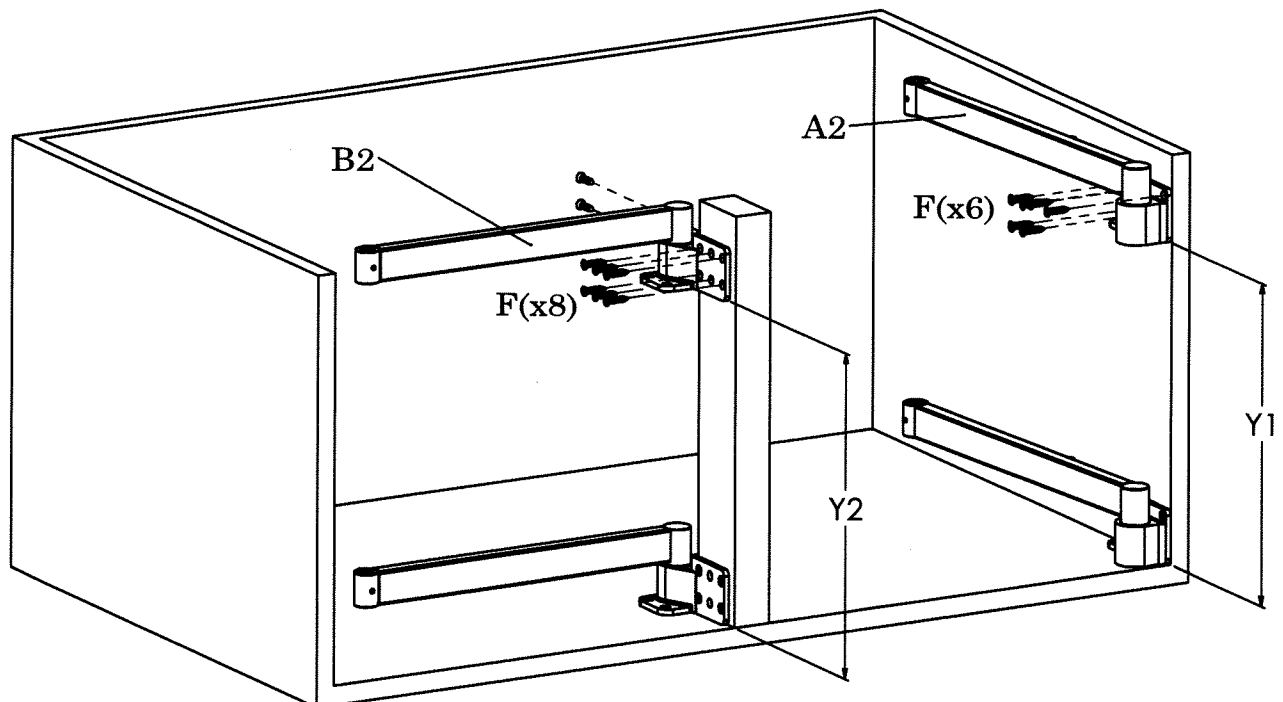
INSTALL INSTRUCTION

for right door

step 1: install the Internal Swing Arm (B1) and External Swing Arm (A1) on bottom board with Screw (F).
Align the External Swing Arm (A1) with cabinet's front edges.



step 2: install Internal Swing Arm (B2) and External Swing Arm (A2) with Screw (F). Align External Swing Arm (A2) with side board edges.

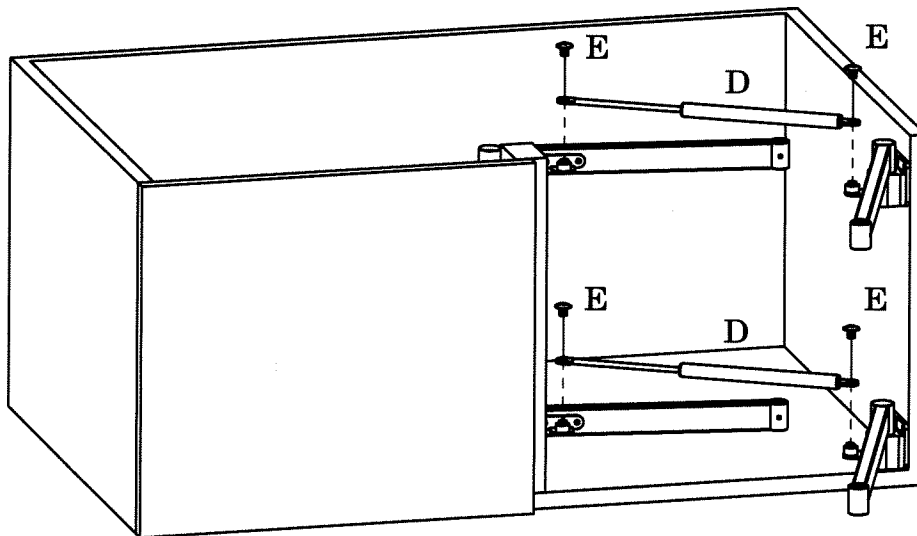


min. required height (Y1=Y2): 300mm

INSTALL INSTRUCTION

for right door

step 3: install Gas Piston (D) with Screw (E); note its direction, refer to drawing



step 4: ● insert Shelves (C) into the Swing Arm, refer to drawing (1) and (2)
● must tighten screw for avoiding shelves being loose, refer to drawing (3)
● installation is finished

