

RECYCLING MADE EASY

NEW CONCELO® CR600 BINS

With many councils collecting 3 or 4 separate types of waste, there is an increasing need for an easier way to separate waste within the kitchen.

The new Concelo CR600 models have been developed to meet this need, allowing 4 separate waste and recycling buckets in one bin unit, with up to 64 litre capacity between them.

CR600 FEATURES INCLUDE:

- Side mount in standard 600mm cabinet*
- Active Lid on left hand side to control odours
- Easy to clean with Concelo's Clip'n'Clean system
- Suits System 32 drilling pattern
- Door Pull available in Arctic White or Cinder
- 6 way door adjustment
- Premium German Soft Close Runner (45kg dynamic weight rating)
- 13L and 16L bucket options available (see overleaf)
- 40mm bench overhang clearance
- 10 Year Residential Warranty

Visit hideawaybins.com.au for more information.



CR600-413D-W



CR600-416D-W

Available from:

galvinhw.com.au / 08 9446 6333

Concelo®

Hideaway®



CONCELO® CR600 - WASTE & RECYCLING

4 x 13 LITRE *BUCKETS*

CR600-413D-W ARCTIC WHITE



CR600-413D-C CINDER



52L
CAPACITY

DIMENSIONS

Suitable for Minimum* Cabinet Width: 600mm

Minimum Internal Cabinet Dimensions: (WxHxD)mm 568 x 335 x 525

Designed to fit behind 50/50 drawer fronts, providing a 4 bin recycling solution. Active Lid sits over the front and rear left-hand buckets when closed.

4 x 16 LITRE *BUCKETS*

CR600-416D-W ARCTIC WHITE



CR600-416D-C CINDER



64L
CAPACITY

DIMENSIONS

Suitable for Minimum* Cabinet Width: 600mm

Minimum Internal Cabinet Dimensions: (WxHxD)mm 568 x 415 x 525

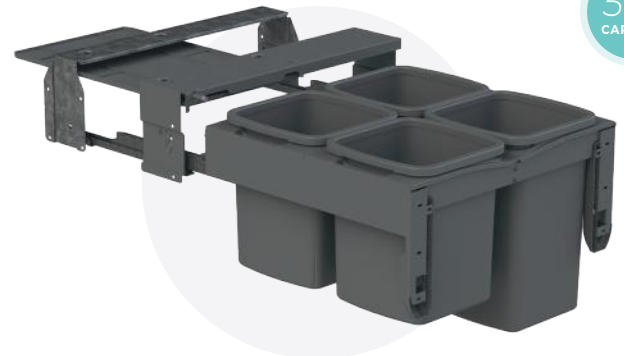
Designed to fit behind 60/40 or 2/3 / 1/3 drawer front split, providing a 4 bin recycling solution. Active Lid sits over the front and rear left-hand buckets when closed.

2 x 13 + 2 x 16 LITRE *BUCKETS*

CR600-213-216D-W ARCTIC WHITE



CR600-213-216D-C CINDER



58L
CAPACITY

DIMENSIONS

Suitable for Minimum* Cabinet Width: 600mm

Minimum Internal Cabinet Dimensions: (WxHxD)mm 568 x 415 x 525

Designed to fit behind 60/40 or 2/3 / 1/3 drawer front split, providing a 4 bin recycling solution. Active Lid sits over the front and rear left-hand buckets when closed.