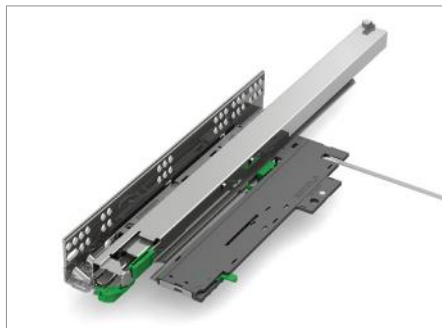


NEW: DYNAPRO TIPMATIC SOFT-CLOSE FOR BATHROOM FURNITURE



Can be ordered: from June 2019

Can be supplied: from September 2019

OPENING SYSTEM FEATURES

- Mechanical opening system with low closing force
- Suitable for light drawers with a weight of < 5 kg to 30 kg
- Very low closing resistance for reliable, smooth closing with low loads
- 3-stage adjustment of the opening force
- Large trigger range due to synchronisation rod

FULL EXTENSION SLIDE FEATURES

- Dynapro full-extension slides compatible with Tipmatic Soft-close units for bathroom furniture
- Suitable up to a maximum total weight of 30 kg
- Nominal lengths 270 mm - 400 mm

ORDER INFORMATION

1	Dynapro Soft-close full-extension slide for bathroom furniture Set: One left, one right		
		30 kg	
	NL	Art.-no.	PU
	270	F130136511	211
	300	F130136514	211
	350	F130136517	211
	400	F130136520	211

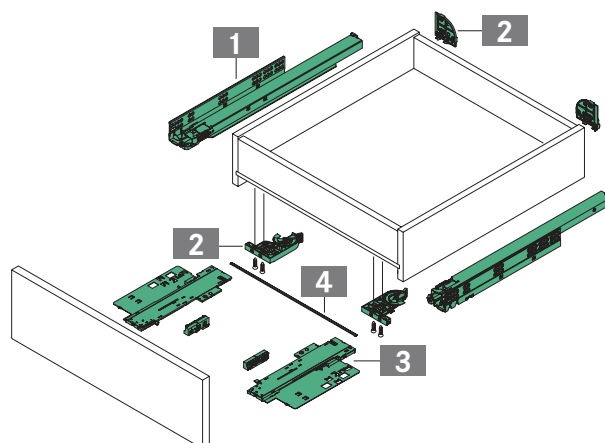
2a	Dynapro 3D set Front locking device (2D) and adjustment adapter (1D) One left, one right		
	Art.-no.	PU	
	F134108956	517	

2b	Dynapro 2D set Front locking device (1D) and adjustment adapter (1D) One left, one right		
	Art.-no.	PU	
	F134117193	517	

Packaging unit (PU):
 207 = 10 units in a cardboard box
 211 = 20 units in a cardboard box
 517 = 50 units in PE in a cardboard box
 607 = 10 units in a cardboard box in a cardboard box

3	Dynapro Tipmatic Soft-close for bathroom furniture Set: Unit and activator One left, one right		
	Art.-no.	PU	
	F134136510	607	

4	Synchronisation rod Single item: for cutting to length		
	L	Art.-no.	PU
	952	F134109410	207



PLANNING DIMENSIONS

All dimensions in millimetres

Installation dimensions	Drawer	NL	SKL	MET
		270	260	273
		300	290	303
		350	340	353
		400	390	403
Synchronisation rod cutting dimension				

Locking device fixing position	Adjustment adapter fixing position	Position of the synchronisation rod									
		<table border="1"> <thead> <tr> <th>NL</th> <th>A</th> <th>B</th> </tr> </thead> <tbody> <tr> <td>270 - 300</td> <td>248</td> <td>265</td> </tr> <tr> <td>350 - 400</td> <td>283</td> <td>300</td> </tr> </tbody> </table>	NL	A	B	270 - 300	248	265	350 - 400	283	300
NL	A	B									
270 - 300	248	265									
350 - 400	283	300									

Fixing positions for full-extension slide

Euro screw \varnothing 6.3 x 14 mm
 Chipboard screw \varnothing 4 x 16 mm
 Screw head \varnothing 7 mm

LEGEND

HV	Height adjustment	LWS	Internal drawer width	SKL	Length of drawer
KV	Front edge of cabinet	MET	Minimum installation depth	SV	Side adjustment
L	Length	NL	Nominal length		
LWK	Inside cabinet width	NV	Tilt angle adjustment		