

# 60cm Electric Multifunction Oven

## BUILT-IN OVEN

PRODUCT CODE: **EO605VBK**



eurocooking



### FEATURES:

- + Soft open & close oven door
- + Baking tray + grill rack on telescopic arms
- + Triple glazed removable inner glass
- + Removable rack support
- + Enamel oven interior
- + 10 amp Plug
- + Black glass / black finish
- + Made in Europe
- + 5 multi-functions
  - + LED Oven light
  - + Fan force
  - + Fan grill
  - + Full Grill
  - + Defrost



Made in Europe

### 5 MULTI-FUNCTIONS:



#### FULL GRILL

Full grill is the perfect option for quick grilling. Toast your favourite meals or finish off the tops of your recipes.



#### DEFROST

In defrost mode, no heating elements are used. Only the fan is activated to circulate air inside the oven for defrosting. It defrosts food up to 30% faster than traditional methods.



#### OVEN LIGHT

The LED oven light will automatically turn on once any function is selected, helps to monitor the progress of your cooking.



#### FAN FORCED COOKING

For the ultimate roast or perfect batch of pastries. The element surrounding the fan delivers even heat for even cooking results, approx. 160°C - 180°C is recommended.



#### FAN GRILL

This function is perfect for fish, chicken Fillets or meat Cutlets. This Combination is exceptional for cooking meats such as poultry, game and roasts, making them crispy on the outside and tender in the middle. The door can be left closed whilst grilling and Browning will occur from the top element.

### TRIPLE GLAZED REMOVABLE DOOR

This oven is equipped with a triple glazed glass door, ensuring minimal heat will escape during the cooking process. Also to ensure a hassle free clean, the oven door can be easily removed.

### SOFT OPEN & CLOSE DOOR

A sophisticated cushioning mechanism designed to soften noise, creating a gentle and convenient safe closure.

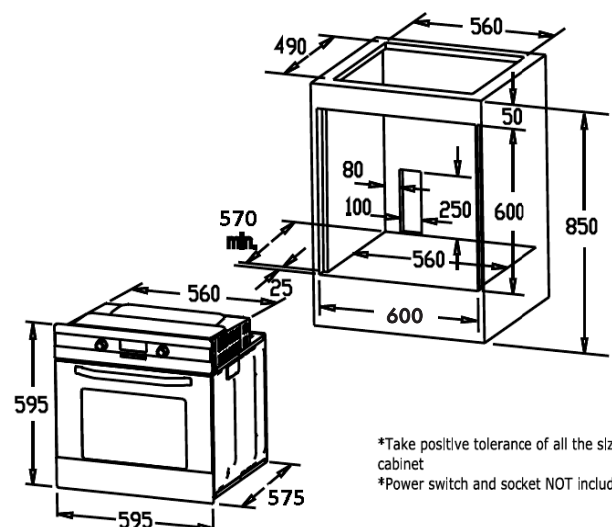
### CLEANING AND MAINTENANCE

Easy clean AAA grade enamel interior.  
Clean glass surfaces using only recommended glass cleaning products.  
No abrasives, corrosive detergents, bleaches or acids not required for cleaning the oven.

### SPECIFICATIONS:

<b>Electrical Requirements</b>	This oven is supplied with a 10 AMP plug and power cord.
<b>Power Consumption</b>	220-240v - 50/60Hz - 2.1Kw
<b>Oven Volume Capacity</b>	90 litres ( gross ) / 75 litres ( net )
<b>Weight</b>	36.8kg (gross) - 33.3kg (net)
<b>Barcode</b>	9347726029509

### PRODUCT DIMENSIONS:



\*Take positive tolerance of all the size in the cabinet  
\*Power switch and socket NOT included