

# 60cm Electric Side Opening Oven

## BUILT-IN OVEN

PRODUCT CODE: **EO60SOSX**



eurocooking



### FEATURES:

- + 8 multi-functions
- + Reversible side-opening door
- + 67L gross oven volume capacity
- + 120 minute cutoff timer
- + Triple glazed easy removable door
- + Contained cavity cooling
- + Under-bench or wall oven installation
- + Stainless steel / black finish



### 8 MULTI-FUNCTIONS:



#### CONVENTIONAL

This method of cooking provides traditional cooking with heat from the top and lower elements. Particularly suitable for traditional roasting and baking on the centre shelf only.



#### HALF GRILL

Half grill is the perfect option for quick grilling. Toast your favourite meals or finish off the tops of your recipes.



#### DEFROST

In defrost mode, no heating elements are used. Only the fan is activated to circulate air inside the oven for defrosting. It defrosts food up to 30% faster than traditional methods.



#### OVEN LIGHT

The oven light will automatically turn on once any function is selected, helps to monitor the progress of your cooking.



#### FAN FORCED COOKING

For the ultimate roast or perfect batch of pastries. The element surrounding the fan delivers even heat for even cooking results, approx. 160°C - 180°C is recommended.



#### FAN GRILL

This function is perfect for fish, chicken Fillets or meat Cutlets. This Combination is exceptional for cooking meats such as poultry, game and roasts, making them crispy on the outside and tender in the middle.



#### FAN + BOTTOM ELEMENT

Great for pizza cooking, the bottom element creates the perfect cooking function for base cooked food.



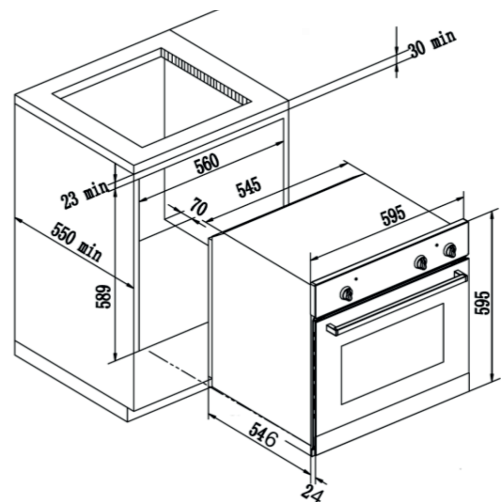
#### FULL GRILL

Grill or toast enough of those favourite after school snacks to feed an army with the full grill function.

### SPECIFICATIONS:

<b>Electrical Requirements</b>	This oven can be connected to a 15 AMP wiring connection. For more information please refer to a qualified electrician.
<b>Power Consumption</b>	220-240v - 50-60Hz - 2.7-3.22Kw
<b>Oven Volume Capacity</b>	67 litres (gross) - 64 litres (net)
<b>Weight</b>	38kg (gross) - 34.5kg (net)

### PRODUCT DIMENTIONS:



### CLEANING AND MAINTENANCE

Easy clean AAA grade enamel interior.  
Clean stainless steel using only recommended stainless steel cleaning products. No abrasives, corrosive detergents, bleaches or acids not required for cleaning the oven.