

Code ES28MTSX - 28L Built-In Microwave Oven + Grill



8 AUTO COOKING MENU

The Auto cooking menu, offers 8 pre set cooking functions including pizza, meat, vegetable, pasta, fish, beverage, potato and popcorn.

COMBINATION COOKING

Combination cooking enables you to cook using both grill and microwave function to provide conventional cooking results.

SPEEDY COOKING (30 SECOND QUICK START)

The quick start function enables you to start the unit at 100% power for 30 seconds, at the push of a button. Each press of the start button will increase the cooking time by an extra 30 seconds.

FEATURES

- 28L Capacity
- Digital control
- 900W microwave power
- 1100W Grill
- 8 Auto cooking menus
- Multi-Stage cooking
- Child safety lock
- Speedy cooking (30 second quick start)
- Stainless steel cavity
- Stainless steel front panel & trim finish

TIMER

Use to set microwave cooking time. Allows you to set up to 95 minutes.

DEFROST BY TIME

Use to set microwave defrost time. This function will allow you to set a maximum of up to 95 minutes.

DEFROST BY WEIGHT

Defrost food according to weight from 100g to 2kg.

MULTI-STAGE COOKING

This feature allows you to set multiple stages of cooking for example, the defrost function followed by microwave function.

ELECTRICAL REQUIREMENTS

This Microwave is fitted with a cord & 10amp plug.

POWER CONSUMPTION:

Rated input power (microwave): 1450w
 Rated output power (microwave): 900w
 Rated input power (grill): 1100w
 Rated Voltage: 230 - 240V

GROSS/NET WEIGHT:

20.5kg / 18.5kg

OVEN CAPACITY:

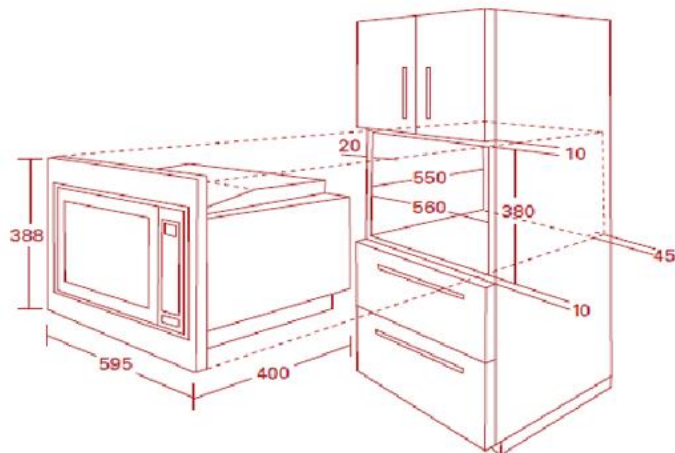
28 Litres

CLEANING AND MAINTENANCE

Simply clean the oven cavity with a slightly damp cloth

PRODUCT DIMENSIONS

Unit dimension with trim (W x H x D): 595x388x400mm



Microwave and Trim Kit for built in purposes only

