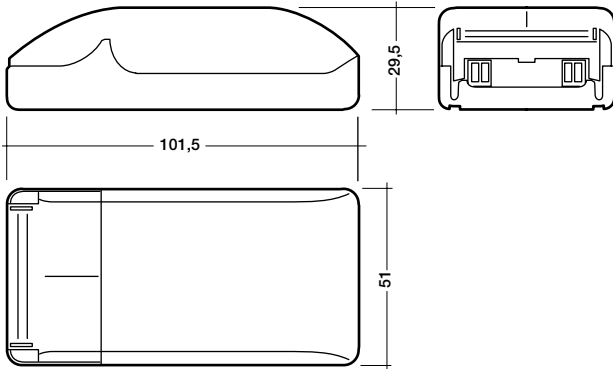




TE-C 101 20–105 VA 230–240/11,5V 50/60 Hz speedy



- short-circuit switch-off with automatic restart
- protection against overheating and overload, with automatic reset
- compact dimensions
- with DC operation, the protective disconnection facility is off
- polycarbonate housing dark blue/white
- large terminal compartment

- cage clamp terminals for solid and flexible wires
- double assignments of terminals possible
- secondary double terminals
- tool free assembly of the strain-relief and terminal cover
- protection class 2
- DC operation possible, for use in emergency installations according to VDE 108

**Packaging:**  
box of 20  
50 boxes/pallet  
1000 pieces/pallet

**Certified:**  
EN 55015  
EN 61000-3-2  
EN 61047  
EN 61347-2-2  
EN 61547

Type		TE-0050 C101 230-240/11,5V 50 VA	TE-0070 C101 230-240/11,5V 70 VA	TE-0105 C101 230-240/11,5V 105 VA
article number		24034855	24034868	24034874
primary voltage	VAC	230–240	230–240	230–240
primary voltage	VDC	220–240	220–240	220–240
input current at 230V/50Hz	A	0.215	0.30	0.45
frequency	Hz	0/50/60	0/50/60	0/50/60
secondary voltage at 230V	V	11.5	11.5	11.5
secondary voltage at 240V	V	11.7	11.7	11.7
lamp wattage	VA	20–50	20–70	35–105
power factor	$\lambda$	> 0.95	> 0.95	> 0.95
frequency of output	kHz	60	55	40
ambient temperature ta	°C	-20 to +50	-20 to +50	-20 to +45
rated max. temperature tc	°C	85	85	85
softstart (time)	s	< 1	< 1	< 1
dimming		leading and trailing edge phase cutting dimmer	leading and trailing edge phase cutting dimmer	leading and trailing edge phase cutting dimmer
dimensions L x W x H	mm	101.5 x 51 x 29.5	101.5 x 51 x 29.5	101.5 x 51 x 29.5
weight	kg	0.105	0.108	0.12
secondary terminal		4-pole	4-pole	4-pole