



#### QUATURIS CORNER CABINET SYSTEMS

Each corner is a curve.  
 Corner cabinet systems by GRASS with  
 maximum variability and convenience.

QUALITY CERTIFICATE  
 FOR QUATURIS 75



#### **Quaturis S – The convenient movement system for standard corner cabinets.**


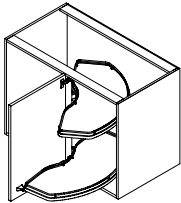

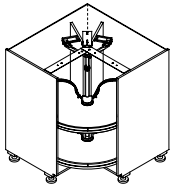
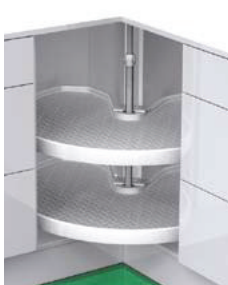
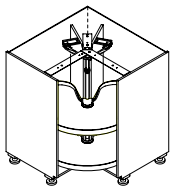
The special swivel mechanism ensures that the ergonomically shaped shelves swing almost completely out of the corner cabinet, offering optimum access to the entire storage area. The fact that the lowest shelf automatically starts moving when the door is opened is not just pretty to watch, it also brings all the stored items into view. The shelf can now be loaded and unloaded with great ease. In addition, the closing mechanism is particularly convenient because all the shelves retract back into the cabinet when the door is closed.

#### **Quaturis 75 – Functional and variable corner cabinet solutions for the discerning.**

Quaturis 75 makes it easy for everybody. Doors close gently and elegantly with the unique Quaturis 75 closing damper, which can be adjusted for the weight of the door and the weight of shelves and stored items. Even with fully loaded shelves, optimum functionality is guaranteed. Furthermore, with its adjustable telescopic tube, the Quaturis 75 is suitable for all common cabinet and worktop heights. Quaturis 75 is the basic fitting for both 80 cm and 90 cm wide corner cabinets. It is also suitable for a wide range of door openings and fits with all common shelves.

# CORNER CABINET SYSTEMS

Intelligent corner cabinet solutions for more storage space.  
Efficient. Adjustable. Functional.

	Product description		Page
	<p><b>Quaturis S corner cabinet solutions for standard base cabinets</b></p> <ul style="list-style-type: none"> <li>• Premium functional fitting for standard corner cabinets</li> <li>• For cabinet widths of 900, 1000 and 1200 mm</li> <li>• Suitable from 490 mm internal depth</li> <li>• Also suitable for handle-free kitchen furniture</li> </ul>		746
	<p><b>Quaturis 75 for 90° corner cabinet solutions (with wooden shelves)</b></p> <ul style="list-style-type: none"> <li>• Pie-cut corner cabinet fitting for 90° corner cabinet solutions</li> <li>• Individual vertical adjustment of shelves for different cabinet heights</li> <li>• Uniform door application with optimum stability for standard and frame doors</li> <li>• Three-dimensional door reveal adjustment (height, sides, depth)</li> </ul>		750
	<p><b>Quaturis 75 for 90° corner cabinet solutions (with plastic shelves)</b></p> <ul style="list-style-type: none"> <li>• Pie-cut corner cabinet fitting for 90° corner cabinet solutions</li> <li>• Individual vertical adjustment of shelves for different cabinet heights</li> <li>• Uniform door application with optimum stability for standard and frame doors</li> <li>• Three-dimensional door reveal adjustment (height, sides, depth)</li> </ul>		752
	<p><b>Technical information Quaturis S</b></p>	748	
	<p><b>Technical information Quaturis 75</b></p>	754	
	<p><b>Installation technology</b></p>	757	

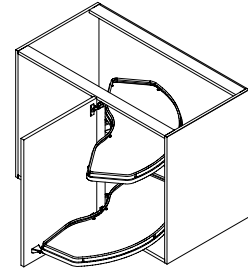
# QUATURIS S

Corner cabinet solutions for standard base cabinets



- Premium functional fitting for standard corner cabinets; widths 900 mm, 1000 mm and 1200 mm
- Suitable from 490 mm internal depth
- Also suitable for handle-free kitchen furniture
- Shelves swing almost completely out of the corner cabinet
- Excellent access to the entire storage area
- Wooden shelves can carry 20 kg each
- Continuous vertical adjustment of shelves
- Quick tool-free installation of shelves

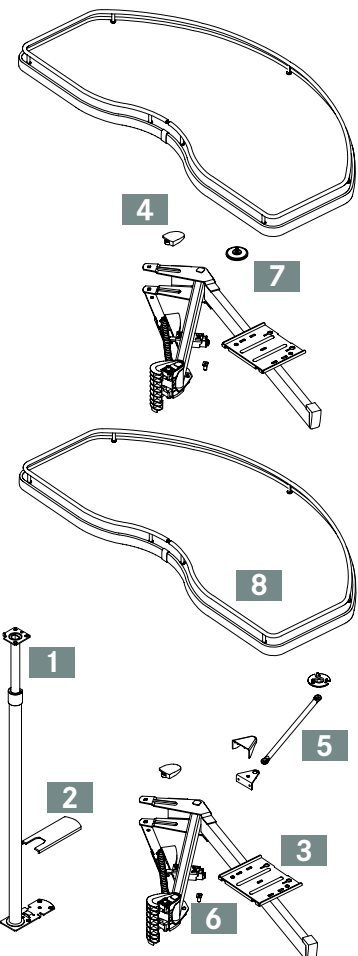
**Note:**  
Available 2012



## ORDER INFORMATION

### Quaturis S corner cabinet fitting set

KB	TAM	Set	Application	Item No.
900	450	1	Left	<b>F154145196</b>
		4	Right	<b>F154145199</b>
1000	500	2	Left	<b>F154145197</b>
		5	Right	<b>F154145200</b>
1200	600	3	Left	<b>F154145198</b>
		6	Right	<b>F154145201</b>



1 set includes:

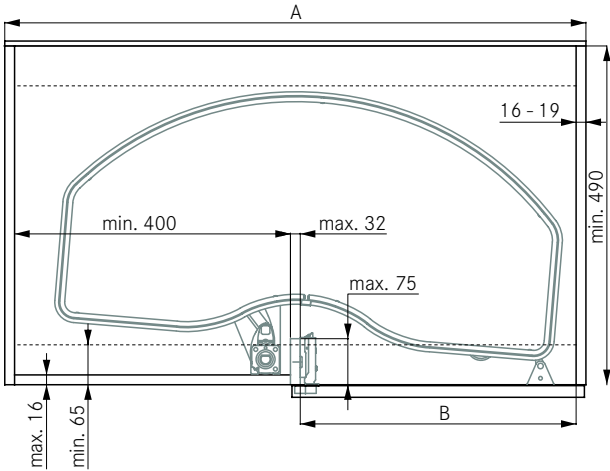
- 1 Telescopic tube and screw-on plates top and bottom (1x)
- 2 Cover cap for screw-on plate, bottom (1x)
- 3 Swing mechanism with clamping elements, self-retracting function and damper (2x)
- 4 Cover caps for clamping element (2x)
- 5 Connecting arm complete with screw-on elements and cover cap for screw-on bracket (1x)
- 6 Opening angle reduction clips (2x)
- 7 Guide disc including running socket with pre-fitted Euro screw (1x)
- 8 Shelf (2x)

Installation instructions and drilling templates (1x)

Tiomos 95	98	Nexis Click-on 05	216	Technical information	748
Nexis Impresso 05	172	Nexis Slide-on 05	280	Installation technology	757

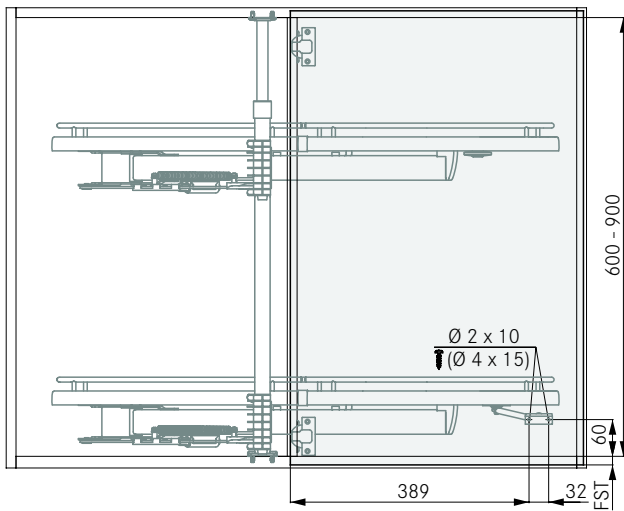
INSTALLATION INFORMATION

Space requirement (drawing shows l/h application)

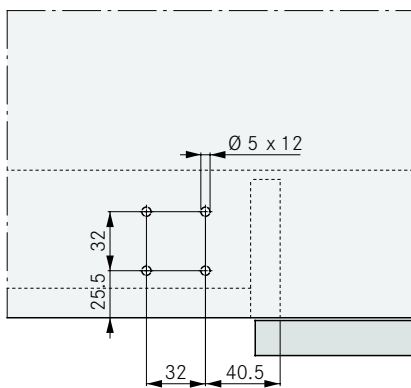


TAM	A	B
450	min. 900	411-418
500	min. 1000	461-468
600	min. 1200	561-568

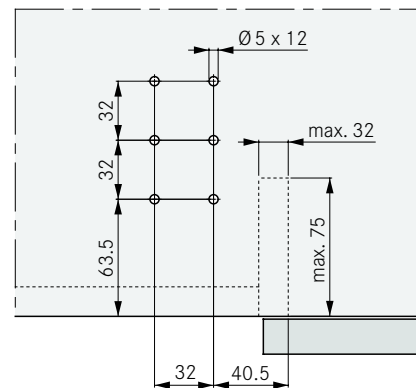
Door installation (drawing shows l/h application)



Top fixing of cross bar (drawing shows l/h application)



Fixing to cabinet base (drawing shows l/h application)



**Important!** Drill holes at top and in cabinet base before assembly! Fixing with Euro collar screws  $\text{Ø } 6.3 \times 10.5$

LEGEND

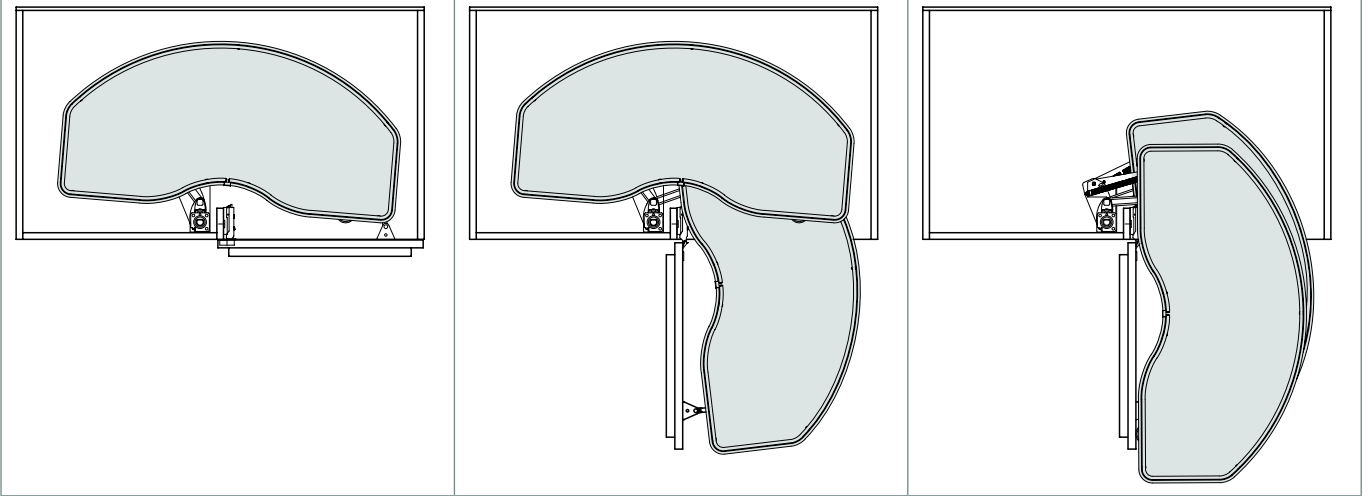
- FST Front overlay
- KB Cabinet width
- TAM Door cut-out dimension

# QUATURIS S

Technical information

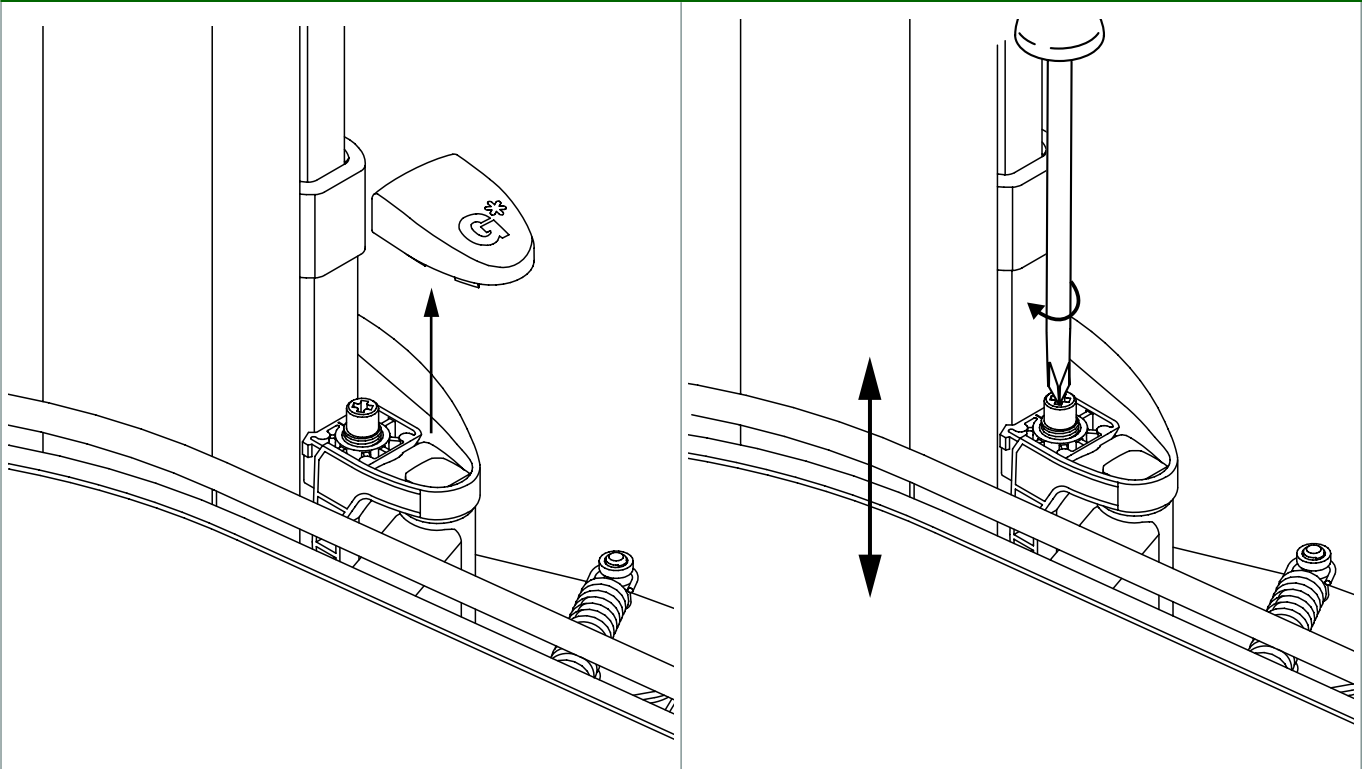
## MOVEMENT SEQUENCE

### Shelves



## ADJUSTMENTS

### Height adjustment



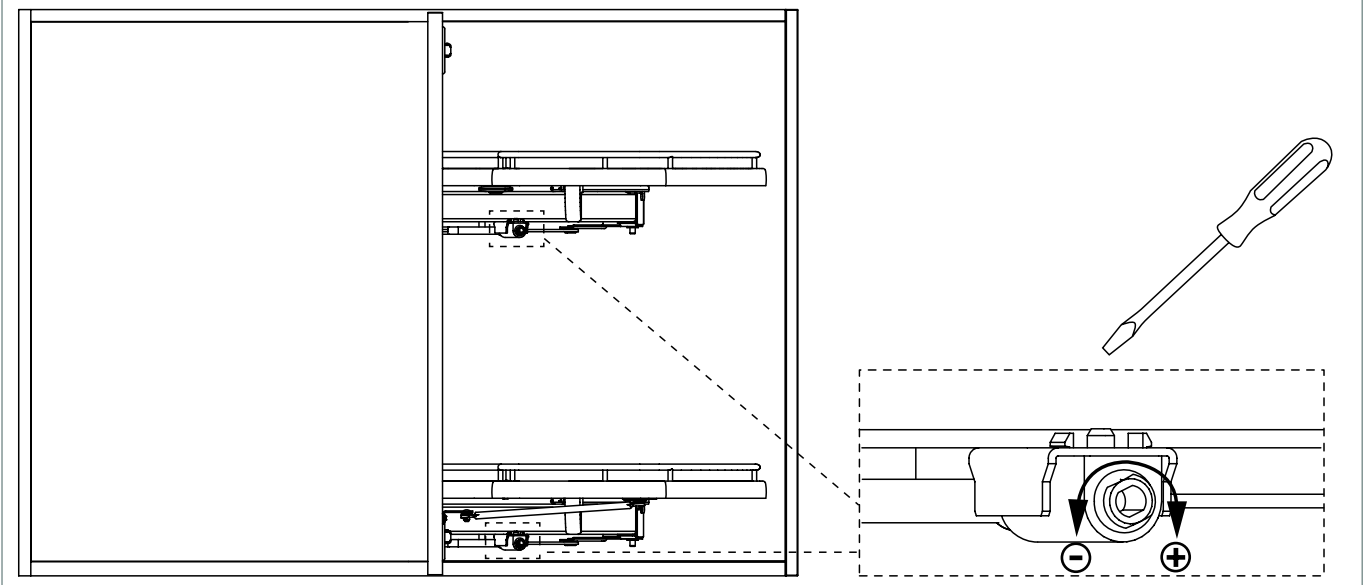
6

Quaturis S

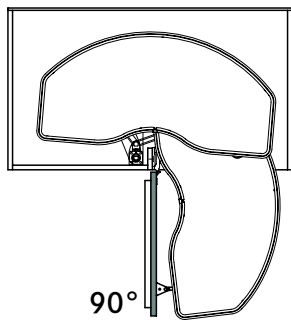
746

## ADJUSTMENTS

### Adjusting the shelf self-retracting damper



### Adjusting the opening angle to 90°



### Adjusting the opening angle to 85°

