

Single-wall steel drawer system MultiTech for variable drawer/internal drawer widths Drawer profile height 86 mm



- Single-wall steel drawer system with roller runner as part-extension or over-extension with self-closing effect
- Load capacity 25 kg (part-extension)
30 kg (over-extension)
- No bottom panel machining
- Quick insertion and removal of the drawer/internal drawer
- Simple assembly and front panel adjustment
- One-sided constrained guidance, automatic tolerance compensation ± 1 mm
- Integrated double stop

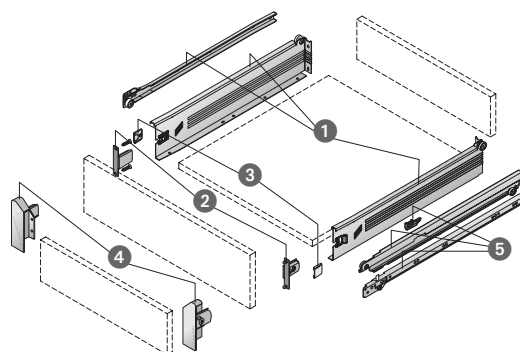
The following components are all you need for assembling a MultiTech drawer/internal drawer:

- ① Drawer set, height 86 mm
- + ② Front connectors
- + Bottom and rear panel, 16 mm
- Optional: ③ Cover cap
- ④ Front connector for internal drawer
- ⑤ Additional set for over-extension

① Drawer set, height 86 mm contains:

- 1 set drawer profiles, powder-coated steel
- 1 set cabinet rails (part-extension), powder-coated steel

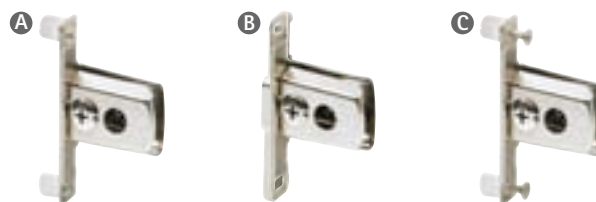
Nominal length mm	Order no.		PU
	white	grey	
250	0 050 013	0 050 014	1/10 sets
275	0 051 406	0 051 407	1/10 sets
350	0 050 015	0 050 016	1/10 sets
400	0 050 017	0 050 018	1/10 sets
450	0 050 019	0 050 020	1/10 sets
500	0 050 021	0 050 022	1/10 sets
550	0 050 023	0 050 024	1/10 sets



② Front connectors

- Nickel-plated steel

Assembly	Order no.	PU
A Press-in	0 054 998	1/20
B Screw on	0 054 997	1/20
C With expanding sockets	0 051 477	1/20



③ Cover cap

- Plastic

Finish	Order no.	PU
white	0 046 096	1/20
grey	0 046 097	1/20

Cover caps with customised imprint available on request

④ Front connector for internal drawer

- Plastic

Finish	Order no.	PU
white	0 051 487	1/10 sets
grey	0 051 488	1/10 sets

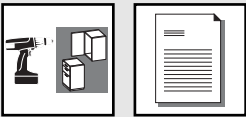
⑤ Additional set for over-extension contains:

- 1 set cabinet rails, powder-coated steel (the cabinet rails from the drawer kit must not be used!)
- 1 set centre profile, powder-coated steel
- 1 set safety catch, plastic



Nominal length mm	Order no.		PU
	white	grey	
350	0 051 478	0 051 479	1/10 sets
400	0 051 409	0 051 410	1/10 sets
450	0 051 411	0 051 412	1/10 sets
500	0 051 413	0 051 414	1/10 sets
550	0 051 415	0 051 416	1/10 sets

Technical information see page 5.3.20



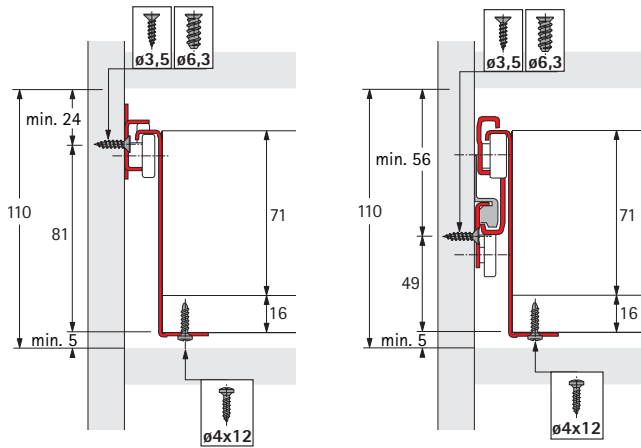
Single-wall steel drawer system MultiTech for variable drawer/internal drawer widths Drawer profile height 86 mm

Hole position

Roller runner/minimum installation height

Part-extension

Over-extension



For further details see page 5.3.15

Fixing screws

	Dimensions mm	Order no.	PU
	ø 6,3 x 10,5	0051 264	200
	ø 6,3 x 14	0051 265	200
	ø 3,5 x 12	9079 791	200
	ø 3,5 x 16	0071 925	200
	ø 4,0 x 12	0058 243	200

Hole position

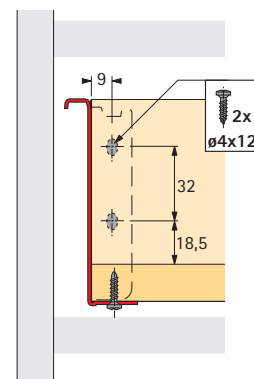
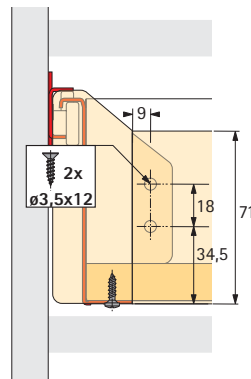
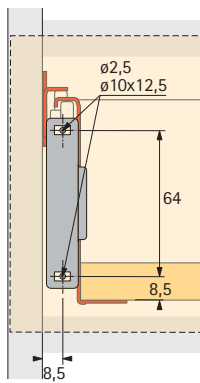
Front connectors

Drawer

Internal drawer

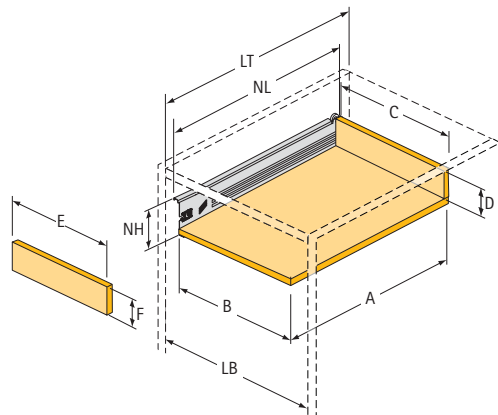
Hole position

Rear panel



Dimensions

LB = inside cabinet width
NL = nominal length
NH = nominal height, 86 mm



Size	Drawer	Internal drawer
A Shelf depth	NL - 3	NL - 19
B Shelf width	LB - 32	LB - 32
C Rear panel width	LB - 32	LB - 32
D Rear panel height	71	71
E Front panel	-	LB - 58
F Front height	-	71
LT Inside cabinet depth	min. NL + 5	min. NL + 14

Processing technology see group 2