

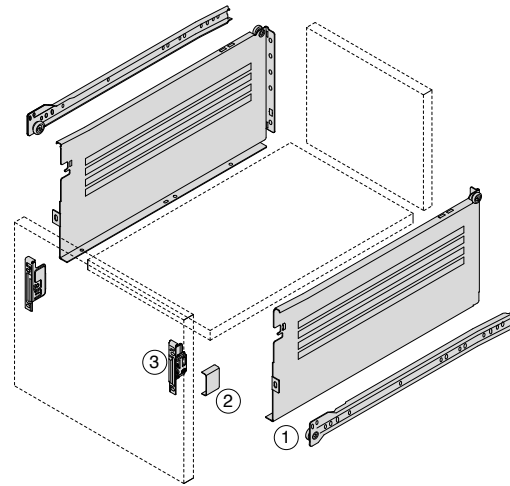
# IMPAZ

## Standard Drawer V - Single Extension

IMPAZ



- Single extension
- Steel drawer side panels 213mm
- Epoxy coated
- Load capacity of 30kg
- Self closing feature
- Flexible 2-dimensional front adjustment
- Smooth rolling mechanism
- Double out-stop safety feature
- Locked-in position when fully extended

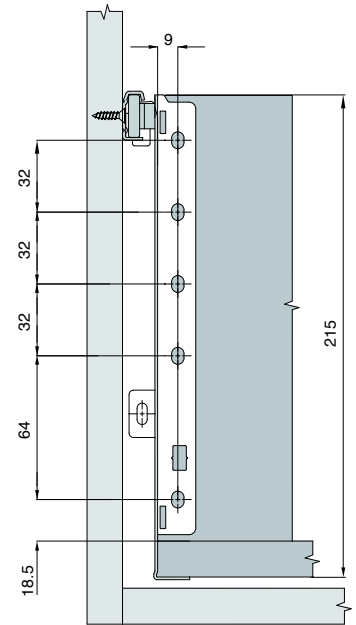
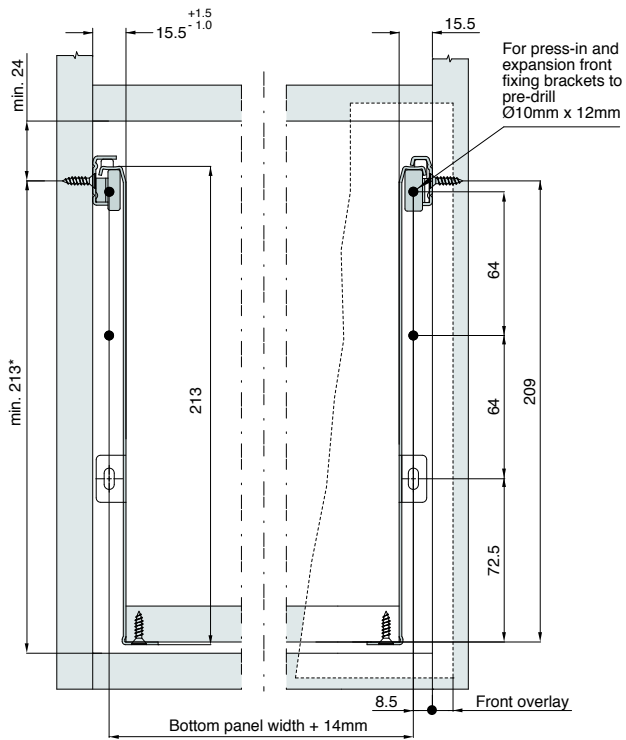


①		<b>Cabinet Profile Drawer Side Left / Right :</b>		
		<b>Drawer Length</b>	<b>Screw-on</b>	<b>Plug-in</b>
		350mm	4920.35.XX	4921.35.XX
		500mm	4920.50.XX	4921.50.XX
②		<b>Cover Cap-plain for Standard brackets</b>		
		2X	RBC.61040.XX	
		<b>Cover Cap-plain for Clip-on brackets</b>		
			RBC.66040.XX	
		Order Left & Right		
③ - steel nickel plated		<b>Front Fixing Bracket - Standard</b>		
		Screw-on	RBF.11240.NI	
		Press-in	RBF.12240.NI	
		Expansion	RBF.13240.NI	
		Order Left & Right		
		<b>Front Fixing Bracket - Clip-on</b>		
		Screw-on	RBF.16040.NI	
		Press-in	RBF.17040.NI	
		Expansion	RBF.18040.NI	
		Order Left & Right		

Colour Code XX  
 Standard : 01 - R9010 White 21 - R7004 Grey 24 - R7037 Dust Grey  
 Available upon request : 02 - R9001 Cream 22 - R9006 Grey Metallic

Space Requirements and Front Installation Dimensions

Back Installation Dimensions



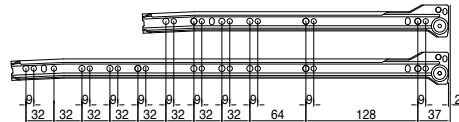
\* Add 8mm when used with 201.000 Drawer Front Locking Piece.

Cabinet Profile Screw Positions

Cutting Dimensions for 16mm Chipboard

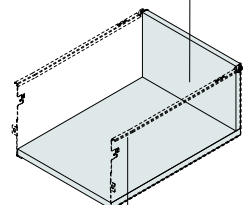
- Drawer Length
- 350mm
- 500mm

Min. Internal Cabinet Depth = Drawer Length + 3mm



Standard Drawer

**Back panel**  
 Width = Internal cabinet width - 31mm  
 Height = 199mm



**Bottom panel**  
 Width = Internal cabinet width - 31mm  
 Length (wooden back) = Drawer length - 2mm

Pre-drilling Dimensions of Bottom Panel for Plug-in

Drilling Template see page 52

