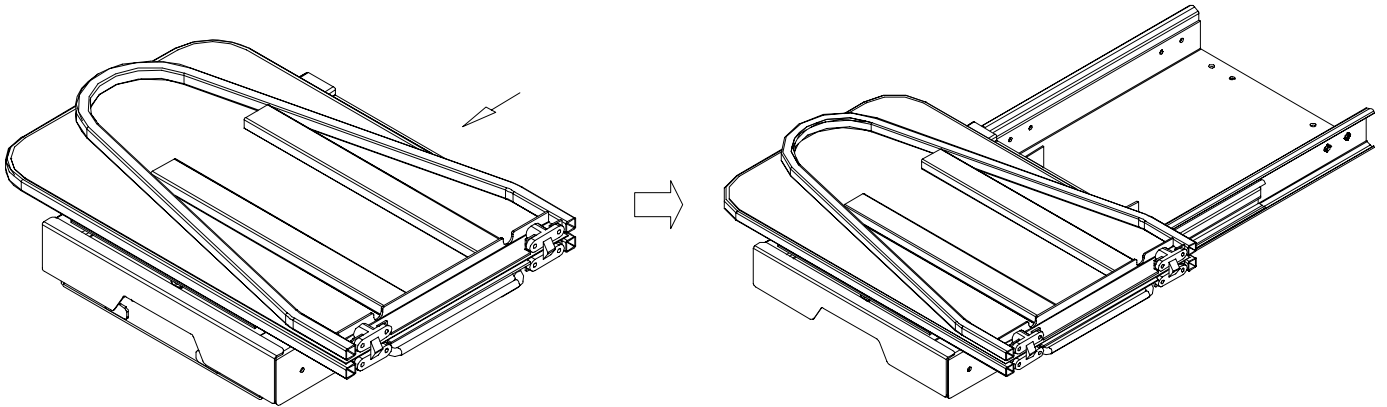


INSTALLATION INSTRUCTIONS

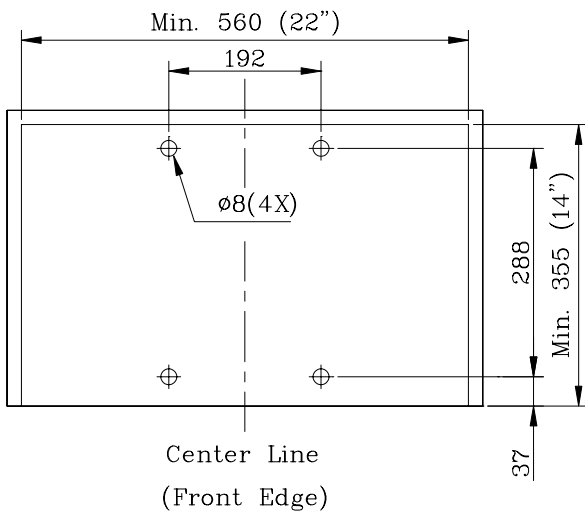
FOR IRONING BOARD S08560 (Using machine screws)

Step 1:

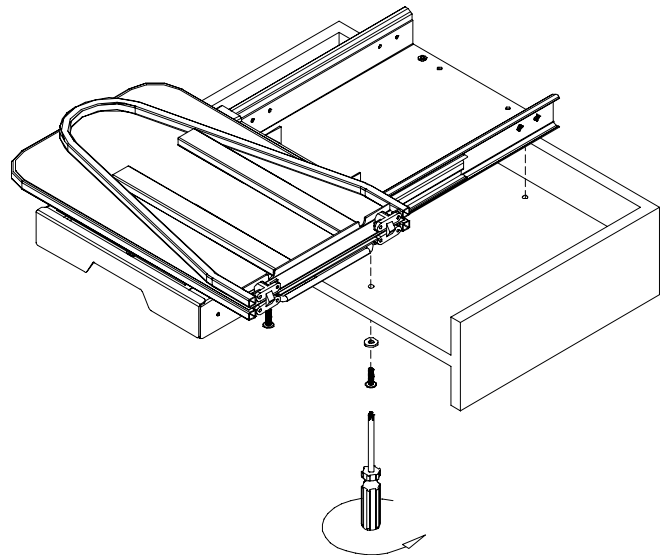


Step 2: Drill through four 8mm holes.

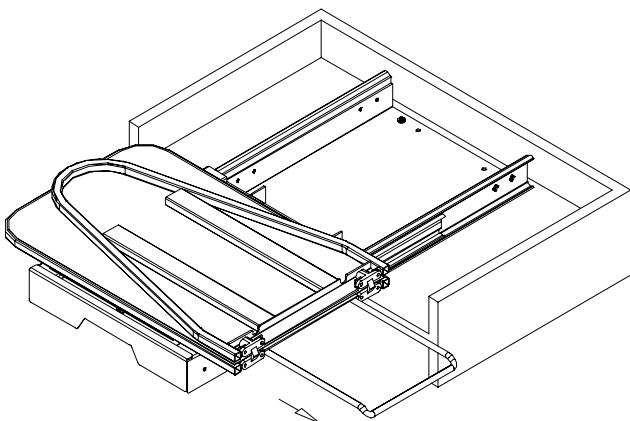
(Bottom Board)



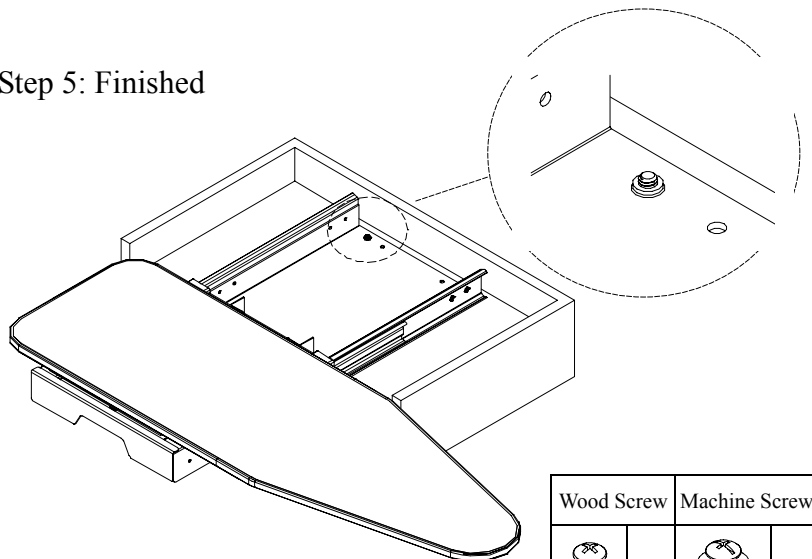
Step 3:





Step 4: Pull out support wire rack.



Step 5: Finished



Wood Screw	Machine Screw
	
8pcs	4pcs