

## Drawer slides

### Heavy load Single-extension slide, 100 kg



- Single-extension slide with steel ball bearings, 100 kg, installation width 17.5 mm, bottom mounting
- Secure drawer front positions in closed condition
- Double stop
- Secure stop in open state possible
- System stop for interior drawers

#### Ball bearing - Single-extension slide, 100 kg



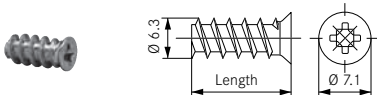
Nominal length	Item No.	Item No.
400	-	4000.400.5
450	-	4000.450.5
500	-	4000.500.5
550	-	4000.550.5
600	4000.600.5	-
700	4000.700.5	-
800	4000.800.5	-
900	4000.900.5	-
1000	4000.1000.5	-
	PU 1/6	PU 1/10

PU 1/6 =  
PU 1/10 =

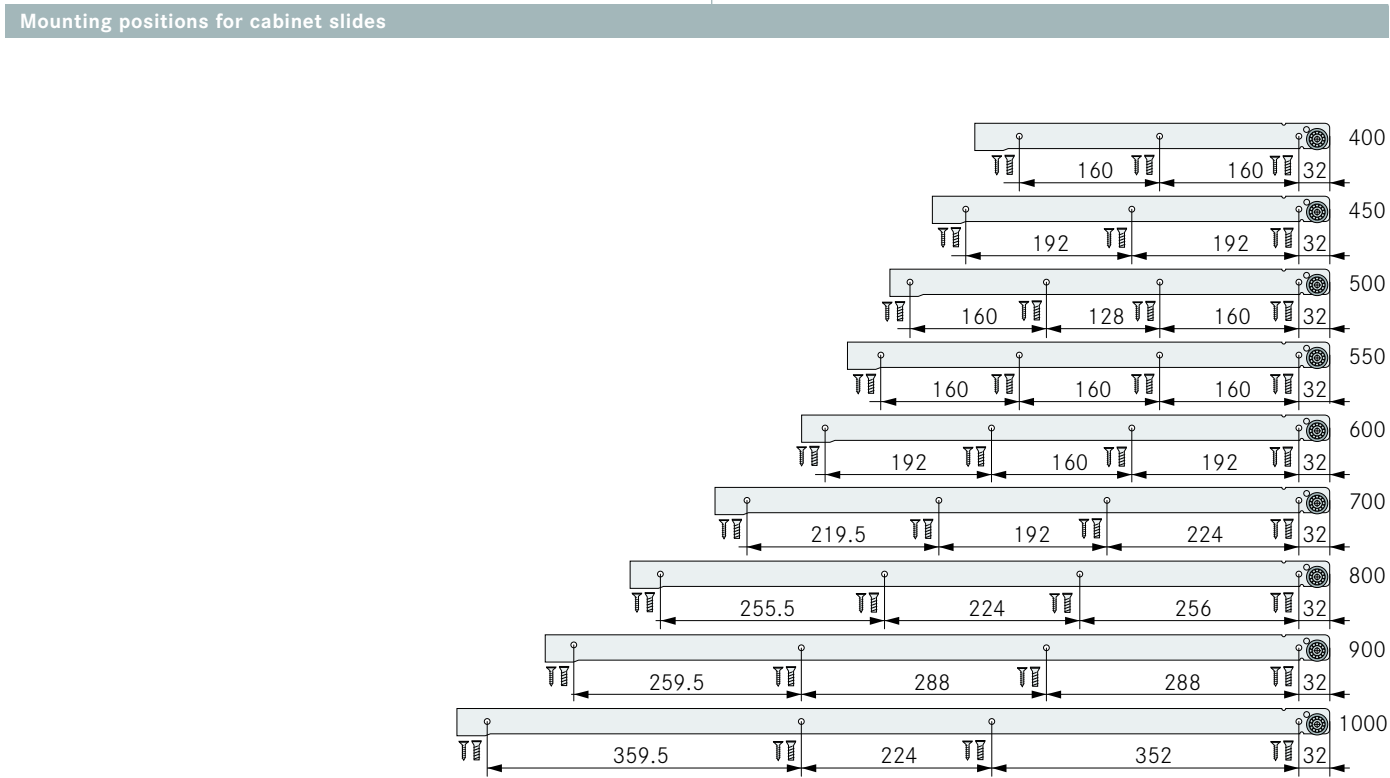
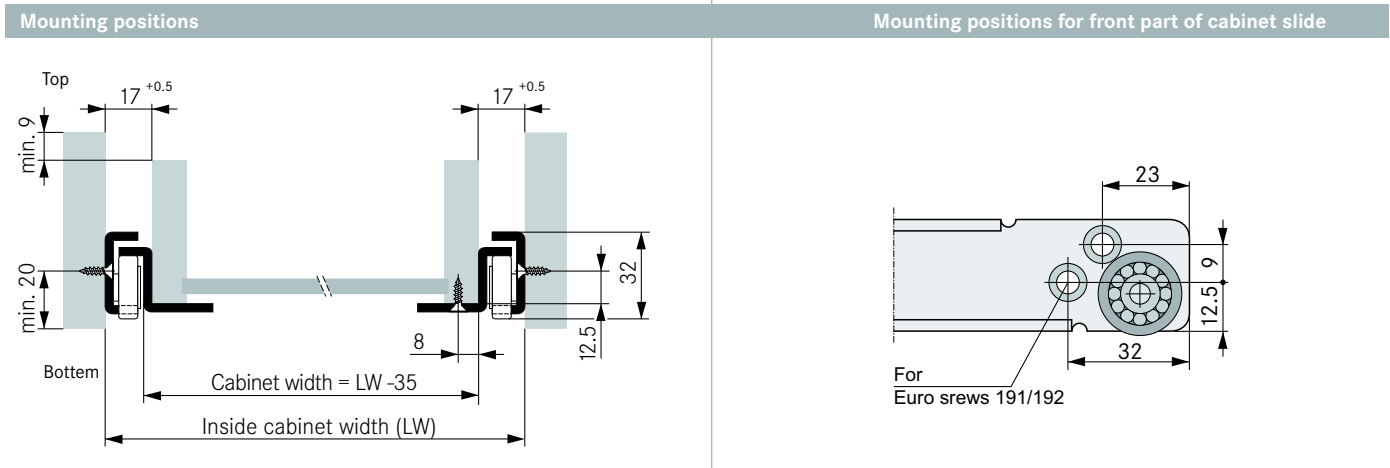
#### Euro screw, nickel-plated

Item No./Ø 6.3 x 10.5 mm	Item No./Ø 6.3 x 14 mm
191	192
PU 1000	PU 1000

PU 1000 = 1000 pieces



	Nominal length	extension loss 1	extension loss 2
<b>Extension loss 1:</b> Describes the extension loss when slide not stopped.  <b>Extension loss 2:</b> Describes the extension loss when slide stopped.	400	105	90
	450	105	90
	500	105	90
	550	105	90
	600	115	100
	700	135	120
	800	135	120
	900	150	135
	1000	150	135



All dimensions in millimetres.