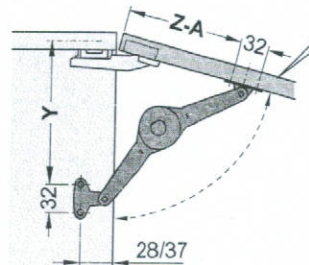
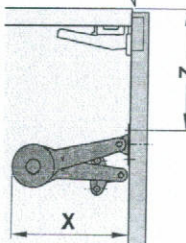
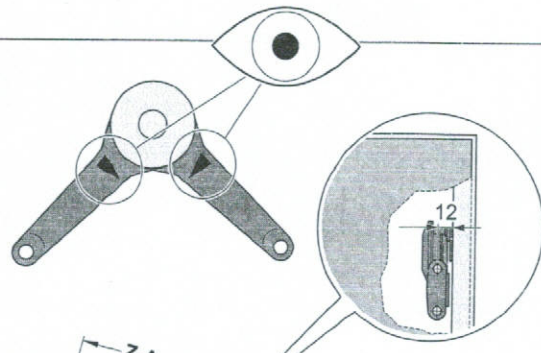
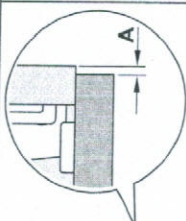
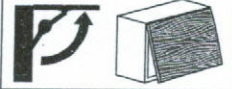
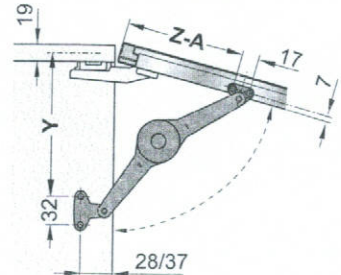
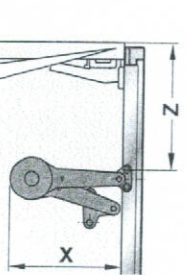
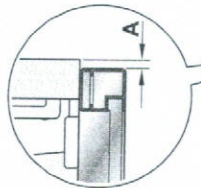
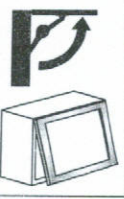
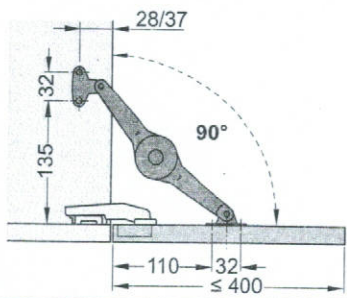
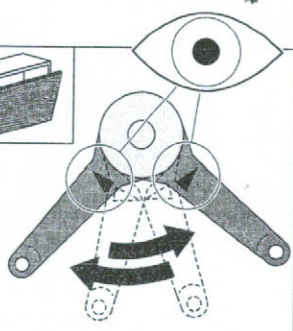


1

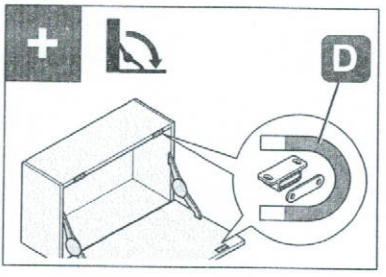
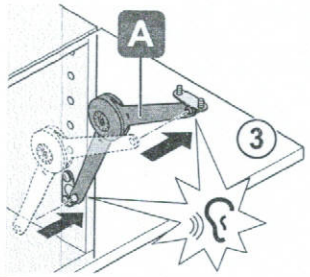
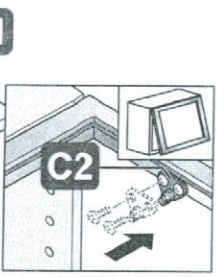
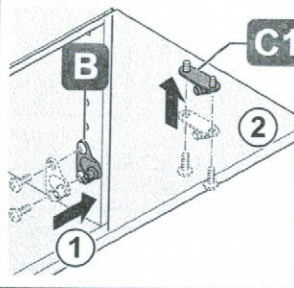


	X	Y	Z
75°	≥135	160	132
90°	≥133	160	90
110°	≥133	128	92



	X	Y	Z
75°	≥125	160	119,5
90°	≥133	160	81,5
110°	≥133	128	93

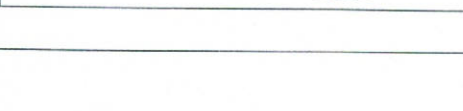
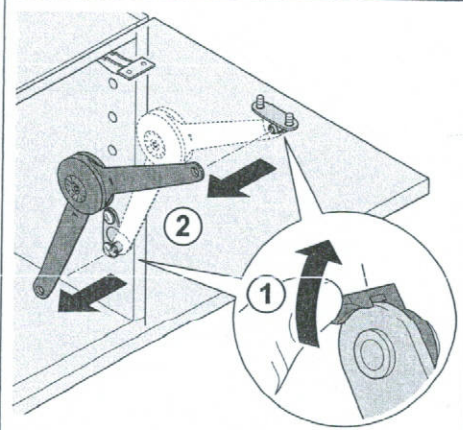
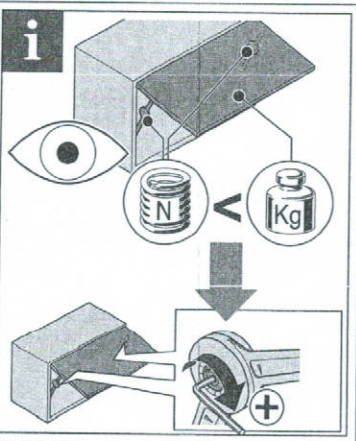
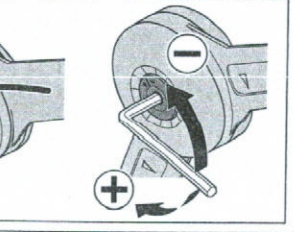
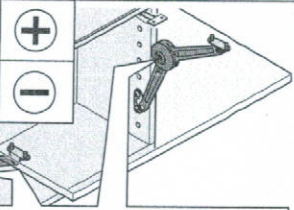
2



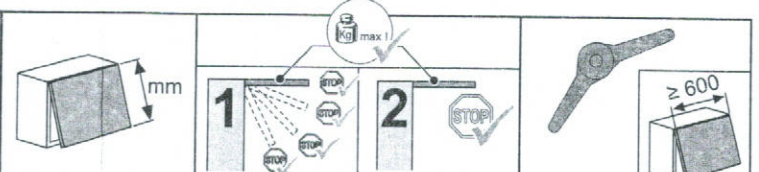
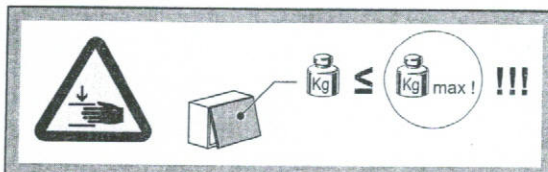
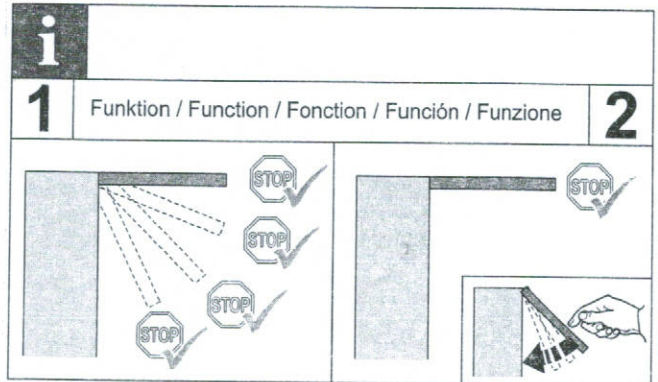
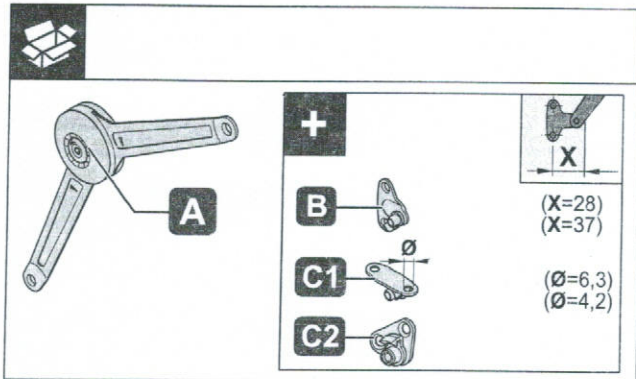
3



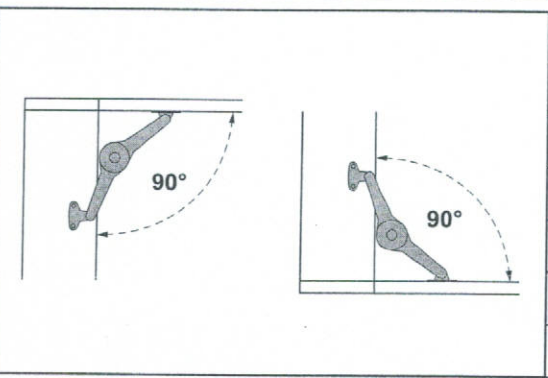
Funktion
Function
Fonction
Función
Funzione



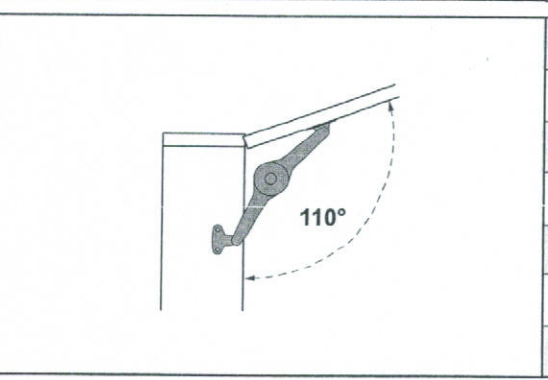
Duo Standard



	200	≤ 9,0 kg	≤ 11,5 kg	1x	2x	
		≤ 15,0 kg	≤ 15,0 kg	2x		
		250	≤ 7,0 kg	≤ 9,0 kg		1x
			≤ 15,0 kg	≤ 15,0 kg		2x
		300	≤ 6,0 kg	≤ 7,5 kg		1x
			≤ 12,0 kg	≤ 15,0 kg		2x
		350	≤ 5,0 kg	≤ 6,5 kg		1x
			≤ 10,0 kg	≤ 13,0 kg		2x
		400	≤ 4,5 kg	≤ 6,0 kg		1x
≤ 9,0 kg	≤ 11,5 kg		2x			
450	≤ 4,0 kg	≤ 5,0 kg	1x			
	≤ 8,0 kg	≤ 10,0 kg	2x			
500	≤ 3,5 kg	≤ 4,5 kg	1x			
	≤ 7,0 kg	≤ 9,0 kg	2x			



	200	≤ 7,5 kg	≤ 9,5 kg	1x	2x
		≤ 15,0 kg	≤ 15,0 kg	2x	
	250	≤ 6,0 kg	≤ 7,5 kg	1x	
		≤ 12,0 kg	≤ 15,0 kg	2x	
	300	≤ 5,0 kg	≤ 6,0 kg	1x	
		≤ 10,0 kg	≤ 13,0 kg	2x	
	350	≤ 4,0 kg	≤ 5,5 kg	1x	
		≤ 8,5 kg	≤ 11,0 kg	2x	
	400	≤ 3,5 kg	≤ 5,0 kg	1x	
≤ 7,0 kg		≤ 10,0 kg	2x		
450	≤ 3,5 kg	≤ 4,5 kg	1x		
	≤ 6,5 kg	≤ 8,5 kg	2x		
500	≤ 3,0 kg	≤ 4,0 kg	1x		
	≤ 6,0 kg	≤ 7,5 kg	2x		



	200	≤ 6,0 kg	≤ 8,0 kg	1x	2x
		≤ 12,0 kg	≤ 15,0 kg	2x	
	250	≤ 5,0 kg	≤ 6,0 kg	1x	
		≤ 9,5 kg	≤ 12,0 kg	2x	
	300	≤ 4,0 kg	≤ 5,0 kg	1x	
		≤ 8,0 kg	≤ 10,0 kg	2x	
	350	≤ 3,5 kg	≤ 4,0 kg	1x	
		≤ 7,0 kg	≤ 9,0 kg	2x	
	400	≤ 3,0 kg	≤ 4,0 kg	1x	
≤ 6,0 kg		≤ 7,5 kg	2x		
450	≤ 2,5 kg	≤ 3,5 kg	1x		
	≤ 5,5 kg	≤ 7,0 kg	2x		
500	≤ 2,0 kg	≤ 3,0 kg	1x		
	≤ 5,0 kg	≤ 6,0 kg	2x		