

KINVARO

T-65 lift-up flap fitting



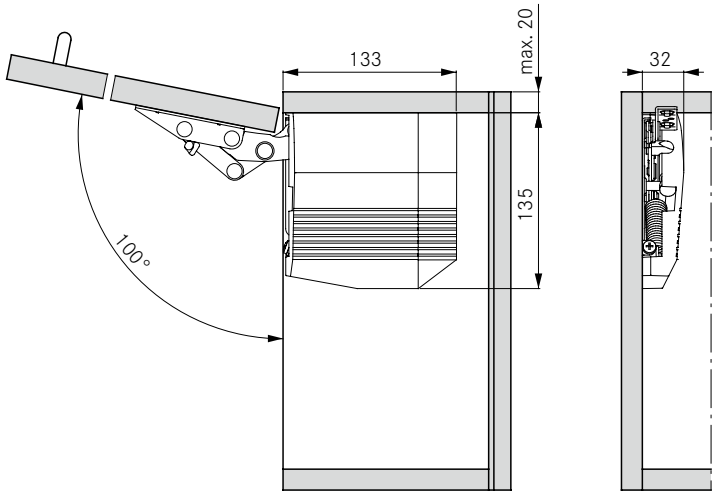
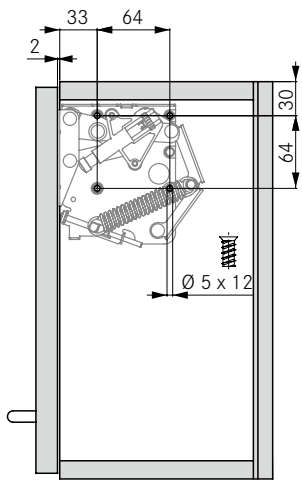
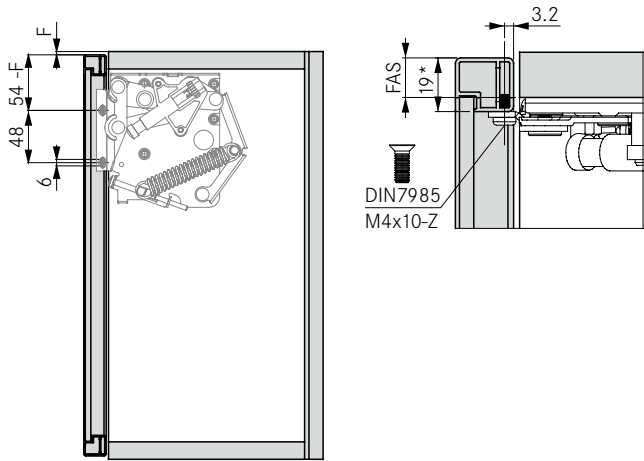
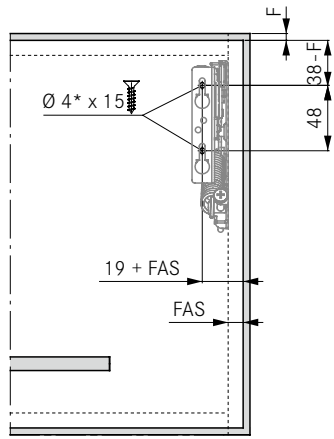
- Variable opening angle - holds flap securely at any angle between 45° and 100°
 - Extremely comfortable opening thanks to spring-supported opening mechanism
 - Adjustable spring force
 - Integrated adjustable closing damper
 - Adjustable flap height ± 3.0 mm
 - No hinges fitted to the top panel
 - Allows additional cabinet installation above
 - Can be used for wooden flaps or aluminium frames with glass infill
 - Weight 0.7 to 7.4 kg
- Range of flaps:
Width: to 1200 mm
Height: 250 – 600 mm
 - Cover caps in white and grey, similar to RAL 7045

APPLICATION RANGE

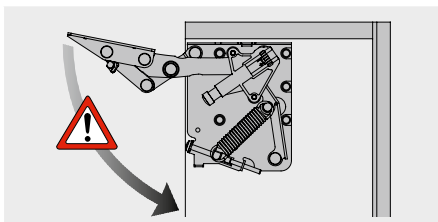
Cabinet height	Flap weight incl. handle (kg)		
	Spring on one side yellow	Spring on both sides yellow	Spring on both sides black
250	0.9 – 2.1	1.8 – 4.2	2.4 – 7.4
300	0.7 – 1.7	1.4 – 3.4	2.0 – 6.3
350	-	1.0 – 2.9	1.7 – 5.4
400	-	0.8 – 2.5	1.5 – 4.7
450	-	0.7 – 2.2	1.3 – 4.2
500	-	0.6 – 2.0	1.3 – 3.9
550	-	-	1.3 – 3.4
600	-	-	1.3 – 3.1

ASSEMBLY AND INSTALLATION INSTRUCTIONS

All dimensions in millimetres

<p>Required space</p> 	<p>Side wall drilling positions</p> 
<p>Front: installation for flaps with standard aluminium frame profiles (19 mm)</p>  <p style="text-align: right;">* Standard aluminium frame profile (19 mm)</p>	<p>Front: installation for wooden and frame flaps (min. 45 mm width)</p>  <p style="text-align: right;">* Pre-drilling required - Ø 2 mm</p>
<p>Calculation of flap weight</p> <p>Flap width x flap height x flap thickness x density¹ + weight of handle² = weight of flap</p> <p>¹ Densities: MDF 0.85 kg/dm³, chipboard 0.65 kg/dm³, spruce/pine 0.45 kg/dm³</p> <p>² For bar handles allow 0.1 kg for each 100 mm handle width. We recommend a trial fitting</p>	

WARNING



Important!
Caution - risk of injury!
Fitting is spring-tensioned!

LEGEND

F Reveal
FAS Front overlay, side