

# KINVARO

## T-105 flap stay



- Variable opening angle, holds flaps securely from 45° to 105°
- Spring-supported opening function
- Convenient access, flap lifts clear of the work area
- Can be used for wooden flaps
- Allows additional cabinet installation above
- Maintenance-free, no readjustment required
- High-quality zinc diecasting, nickel-plated
- Range of flaps:  
Width: up to 1200 mm  
Weight: 250–500 mm

**Note:**

- Tiomos 120° hinges with spring, without damper, and Tiomos mounting plates for top panel must be ordered separately



### APPLICATION RANGE

Cabinet height	Number of flap stays	Flap weight incl. handle (kg)	
		Spring, standard	Spring, black
250	1	1.4–4.4	3.0–5.5
	2	3.4–8.9	6.0–11.1
300	1	1.6–4.3	2.8–5.2
	2	3.2–8.6	5.5–10.4
350	1	1.3–4.1	2.4–4.8
	2	2.6–8.1	4.8–9.5
400	1	1.3–3.4	2.2–4.0
	2	2.6–6.8	4.3–8.1
450	1	1.2–3.0	1.9–3.8
	2	2.4–6.1	3.8–7.4
500	1	1.1–2.9	1.7–3.5
	2	2.2–5.8	3.3–6.7

### ORDER INFORMATION

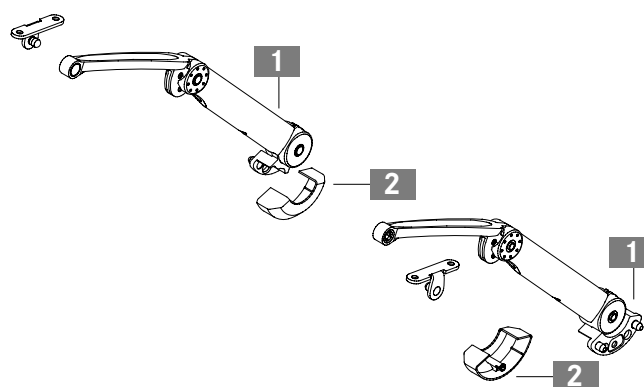
Kinvaro T-105 set						
Designation	Springs	Version for	Overlay	Left	Right	
Kinvaro T-105 right, adjustable standard springs, incl. black cover cap	Standard	Wood	Variable	<b>F151145220</b>	<b>F151145221</b>	
	Black			<b>F151145218</b>	<b>F151145219</b>	

**Note:**

Tiomos 120° hinges with spring, without damper, and Tiomos mounting plates for top panel must be ordered separately.

**Kinvaro T-105 set** comprises:

- 1** Fitting, right or left (1x)
- 2** Cover caps, right or left, in black (1x)
- Paper template (1x)
- Installation instructions (1x)

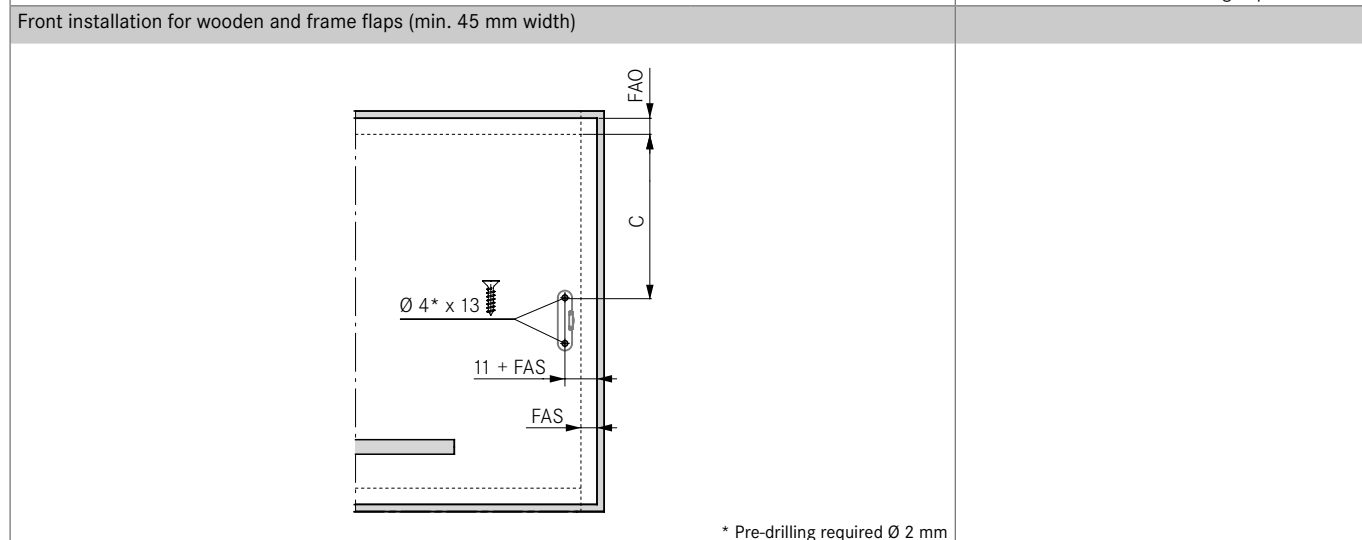
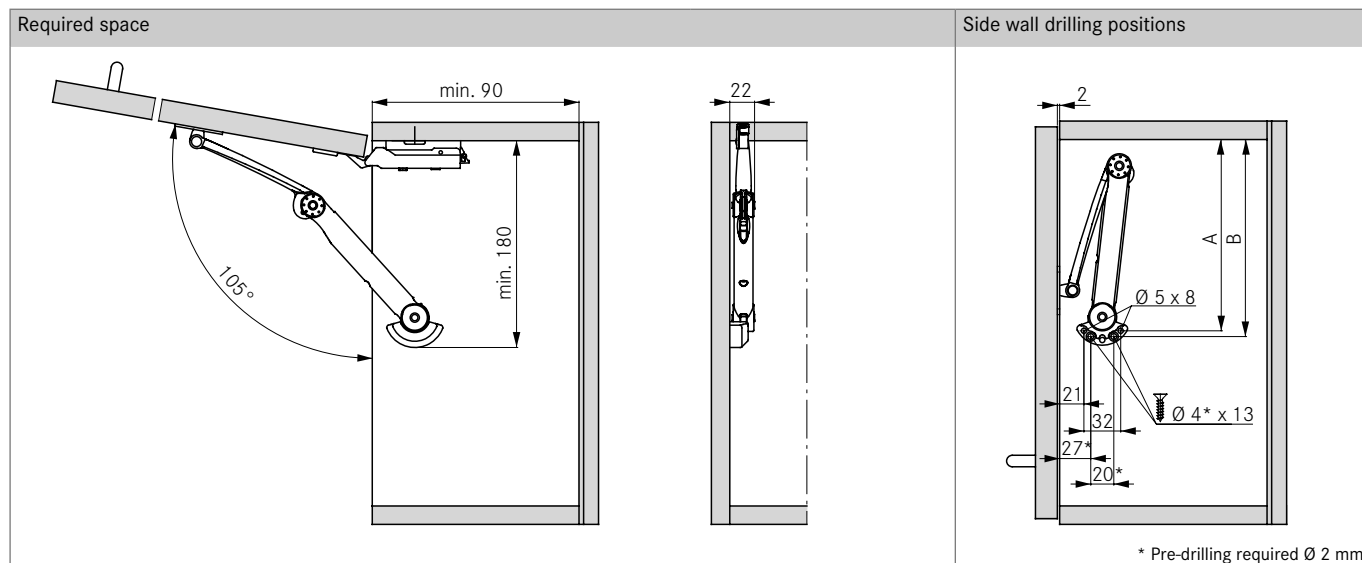


### PAGE REFERENCES

Kinvaro T-105 adjustment options	282		
Assembly aids	656		

ASSEMBLY AND INSTALLATION INSTRUCTIONS

All dimensions in millimetres



Opening angle	A	B	C
95°	169 + MH	174 + MH	118 + MH
≥ 105°	164 + MH	169 + MH	113 + MH

Minimum reveal and door protrusion depend on the hinge fitted.  
You can find suitable hinges in the hinge systems product catalogue.

The installation dimensions apply to hinges with 0 cranking and the respective mounting plate height.

The opening angle can vary between approx. 95° and 105° depending on the type of hinge and application method.

Calculation of flap weight

Flap width x flap height x flap thickness x density <sup>1</sup> + weight of handle <sup>2</sup> = weight of flap

<sup>1</sup> Densities: MDF board 0.85 kg/dm<sup>3</sup>, chipboard 0.65 kg/dm<sup>3</sup>, spruce/pine 0.45 kg/dm<sup>3</sup>

<sup>2</sup> For bar handles, allow 0.1 kg per 100 mm of handle length. We recommend a trial fitting

LEGEND

- A Side wall fastening dimension
- B Side wall fastening dimension
- C Front fastening dimension
- FAO Front overlay, top
- FAS Front overlay, side
- MH Mounting plate height

