

# KINVARO

## T-65 lift-up flap fitting



- Variable opening angle – holds flap securely at any angle between 45° and 100°
- Extremely comfortable opening thanks to spring-supported opening mechanism
- Adjustable spring force
- Integrated adjustable closing damper
- Adjustable flap height ±3.0 mm
- No hinges fitted to the top panel
- Allows additional cabinet installation above
- Weight 0.7 to 7.4 kg
- Range of flaps:  
Width: up to 1200 mm  
Height: 250–600 mm
- Cover caps in grey, similar to RAL 7045



### APPLICATION RANGE

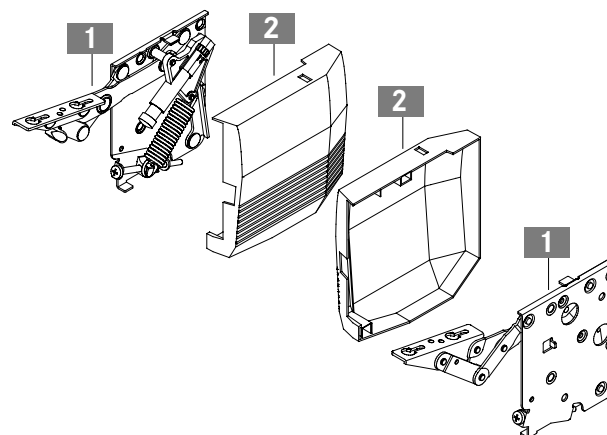
Cabinet height	Flap weight incl. handle (kg)		
	Spring on one side, yellow	Spring on both sides, yellow	Spring on both sides, black
250	0.9–2.1	1.8–4.2	2.4–7.4
300	0.7–1.7	1.4–3.4	2.0–6.3
350	-	1.0–2.9	1.7–5.4
400	-	0.8–2.5	1.5–4.7
450	-	0.7–2.2	1.3–4.2
500	-	0.6–2.0	1.3–3.9
550	-	-	1.3–3.4
600	-	-	1.3–3.1

### ORDER INFORMATION

Kinvaro T-65 set					
Designation	Springs	Version for	Overlay	Art. No.	
					Cover cap, grey
Kinvaro T-65 on right without damper and on left with damper, pre-assembled black springs, incl. cover caps, 2 loose yellow springs	Black/yellow	Wood	Variable		<b>F151147682</b>

#### Kinvaro T-65 set consisting of:

- 1 Fitting on right without damper and on left with damper (1x)
- 2 Cover caps, right and left (1x)  
Springs in yellow, loose (2x)  
Paper template (1x)  
Installation instructions (1x)

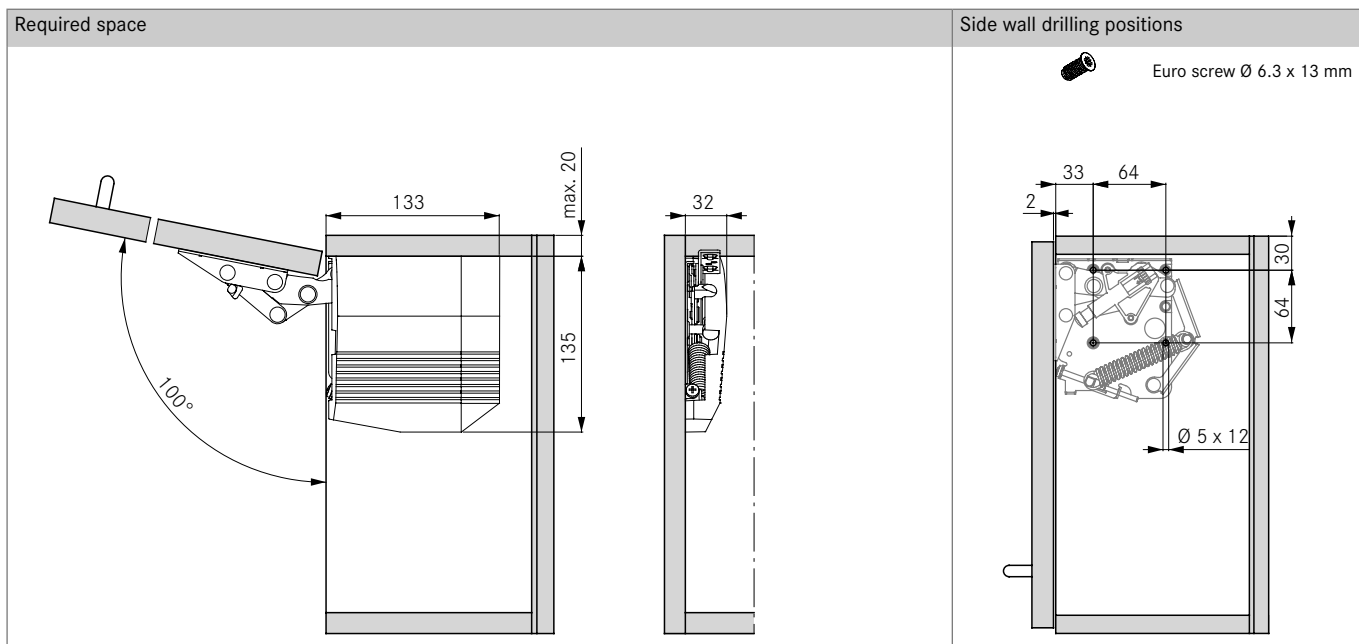


### PAGE REFERENCES

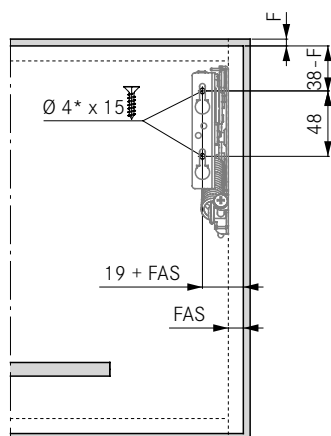
Kinvaro T-65 adjustment options	278
Assembly aids	656

ASSEMBLY AND INSTALLATION INSTRUCTIONS

All dimensions in millimetres



Front installation for wooden and frame flaps (min. 45 mm width)



\* Pre-drilling required Ø 2 mm

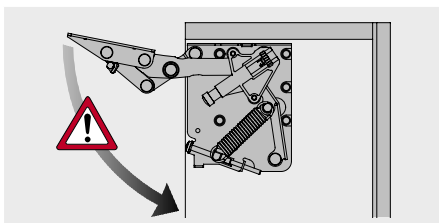
Calculation of flap weight

Flap width x flap height x flap thickness x density <sup>1</sup> + weight of handle <sup>2</sup> = weight of flap

<sup>1</sup> Densities: MDF board 0.85 kg/dm<sup>3</sup>, chipboard 0.65 kg/dm<sup>3</sup>, spruce/pine 0.45 kg/dm<sup>3</sup>

<sup>2</sup> For bar handles, allow 0.1 kg per 100 mm of handle length. We recommend a trial fitting

WARNING



**Important!**  
**Caution – risk of injury!**  
**Fitting is spring-tensioned!**

LEGEND

F Reveal  
FAS Front overlay, side

