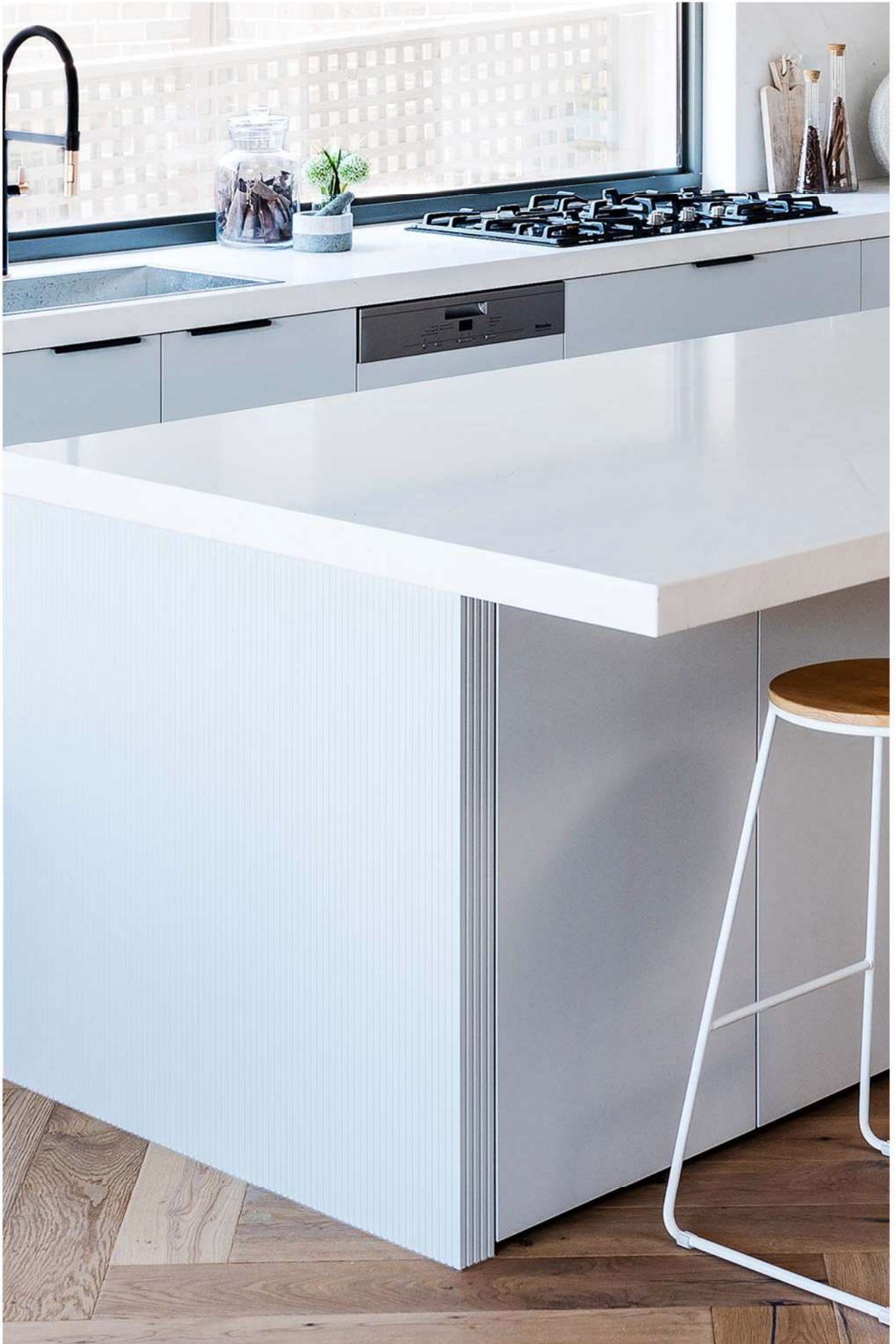


# albedor

## wrap around panels

Effective 1st January 2022





product range: wrap around panels

# wrap around panels

Albedor Wrap Around Panels enable end panels to be wrapped on the return side without any unsightly joins. Wrap around panels are available in all Thermo Formed and Nav Urban colours and finishes and in varying thicknesses

## Key Features

- Available in all thermo formed and ultra finish colours and finishes.
- Profiles and flutes can be machined into face and front edge of thermo formed wrap around panels.

## Specifications

- Substrate is E0 18mm MR MDF (Moisture Resistant Medium Density Fibreboard).
- Thermo formed up to 2400mm Length. Ultra Finish over 2400mm Length P.O.A.
- Various thicknesses available.

## General

- Manufactured in Victoria.
- 7 year warranty.

Example:

1. Find the appropriate Finish page of the price list
2. Find the appropriate Routing price category
3. Look up the equivalent door size

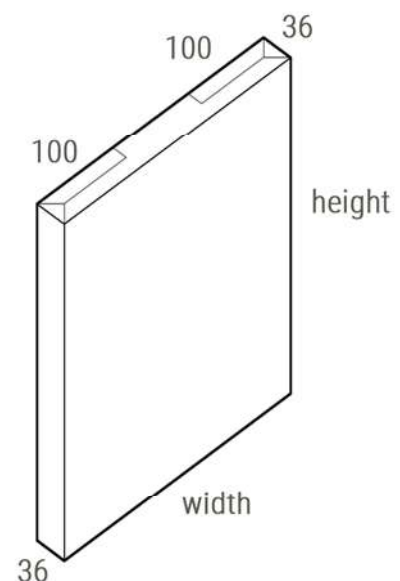
Example - wrap both ends

Route Holly

Finish Satin White

Panel Size 900mm (h) x 600mm (w) x36mm

Return length wrap both ends 100mm



For more information please refer to our website [www.albedor.com.au](http://www.albedor.com.au)



Albedor Industries Pty Ltd  
7 Research Drive Croydon South Vic 3136  
Ph (03) 9761 6330 Fax (03) 9761 6331  
albedor@albedor.com.au

For more information please refer to our website  
[www.albedor.com.au](http://www.albedor.com.au)

