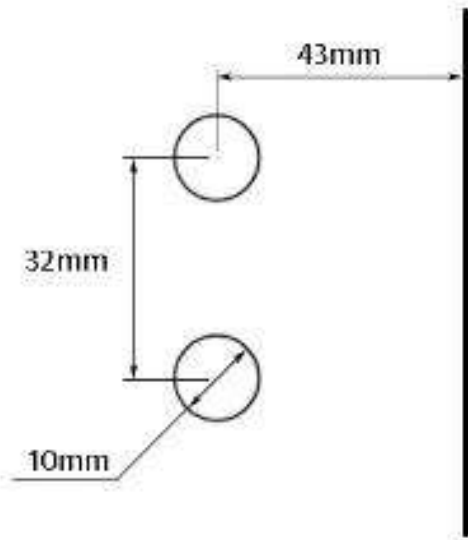


COMPACT LAMINATE DRILLING OPTIONS

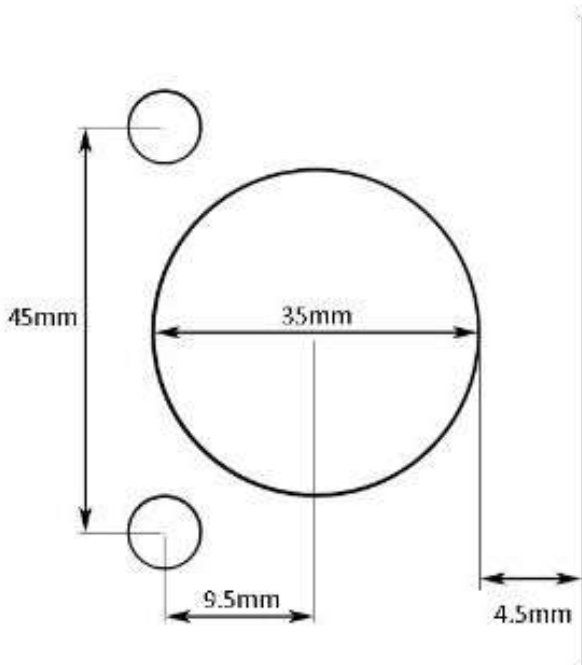
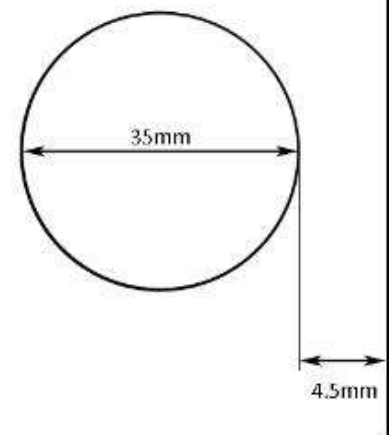


BLUM THIN DOOR HINGE

Full cover to suit 16mm cover

CUP ONLY

Cup Depth 10mm



BLUM DRILLING TO SUIT GALVIN SHALLOW CUP HINGE

Cup & dowel depth 10mm

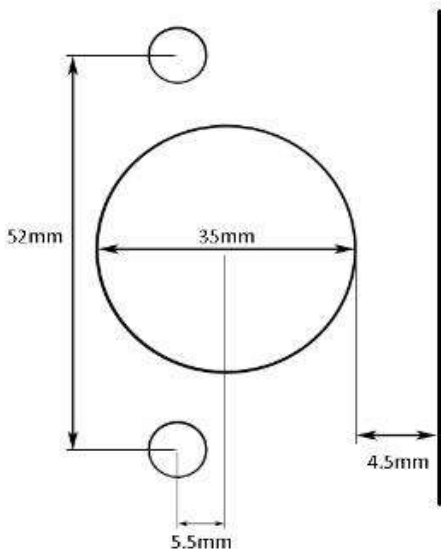
- \emptyset 8mm dowel holes
- \emptyset 3mm dowel holes

HETTICH DRILLING

Cup & dowel depth 8mm

\varnothing 10mm dowel holes

\varnothing 3mm dowel holes

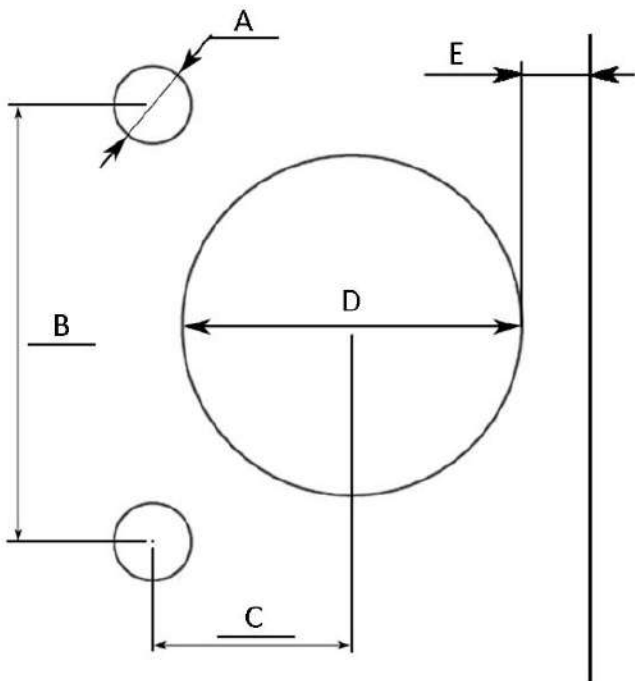
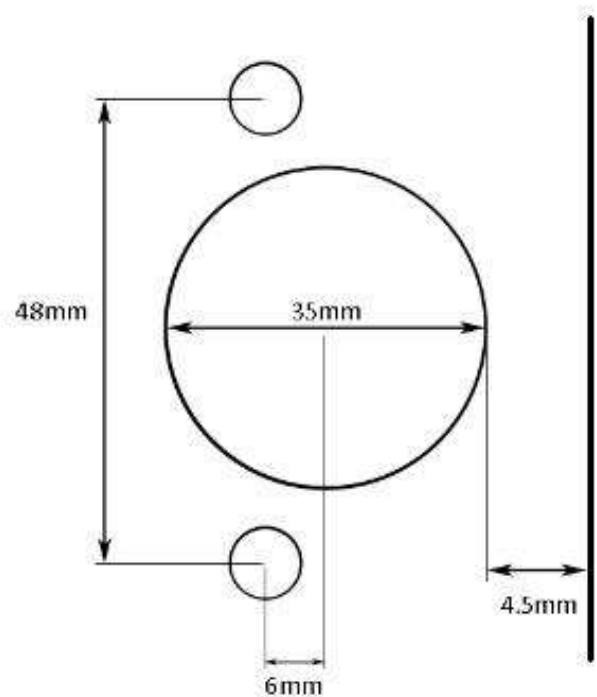


SALICE DRILLING

Cup & dowel depth 10mm

\varnothing 10mm dowel holes

\varnothing 3mm dowel holes



CUSTOM DRILLING:

Dimensions:

Depth:

A = _____

B = _____

C = _____

D = _____

E = _____