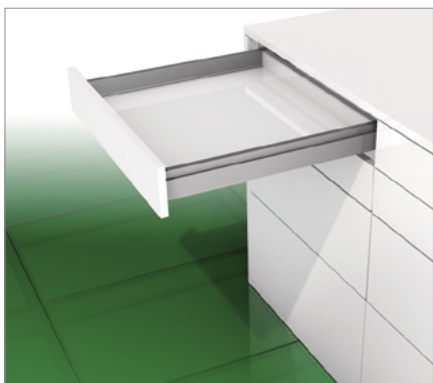


NOVA PRO SCALA

Drawer H63



- Extremely shallow drawer to accommodate low available height
- Can be customised using designer panels
- Integrated height and side adjustment
- Straight inside surfaces and narrow installation width ensure optimal utilisation of space
- Sturdy construction and high degree of stability
- Tool-free fitting and removal of the front
- Same bottom panel and back panel width
- No need to machine the bottom panel

Note:

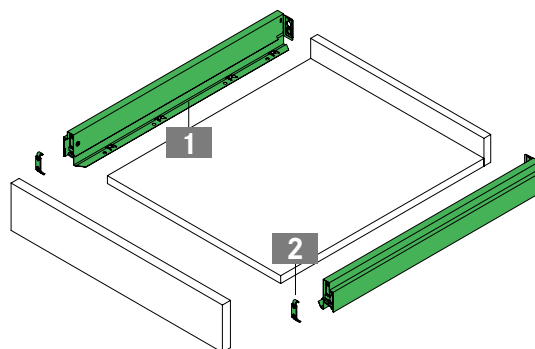
- Front-bottom connector recommended for KB 800 mm and above (see page 350)

ORDER INFORMATION

1		Nova Pro Scala drawer sides H63											
		Set: one left, one right											
NL	Stone				Ice				Silver				
	Art. No.				Art. No.				Art. No.				
400	F100103009				F100103036				F100103063				
450	F100103012				F100103039				F100103066				
500	F100103015				F100103042				F100103069				
550	F100103018				F100103045				F100103072				

2		Installation hook											
		Single item: can be used on left/right											
	Description	Art. No.											
	Expansion dowel	F102117716											
	For press fitting	F102038331											
	For screw fitting	F102038330											

Nova Pro slides from page 320 onwards											
--	--	--	--	--	--	--	--	--	--	--	--

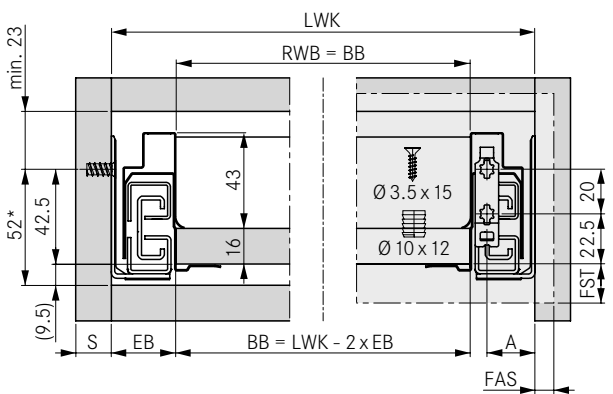
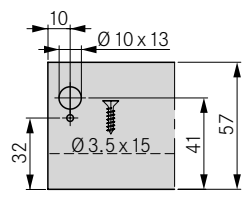
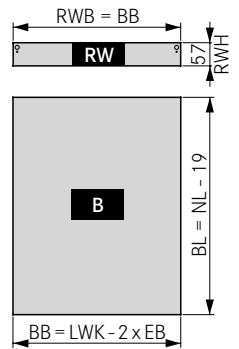


PAGE REFERENCES

Tipmatic Soft-close	324	Technical information	352		
Application examples	342	Assembly technology	637		
Accessories	348	Assembly aids	658		

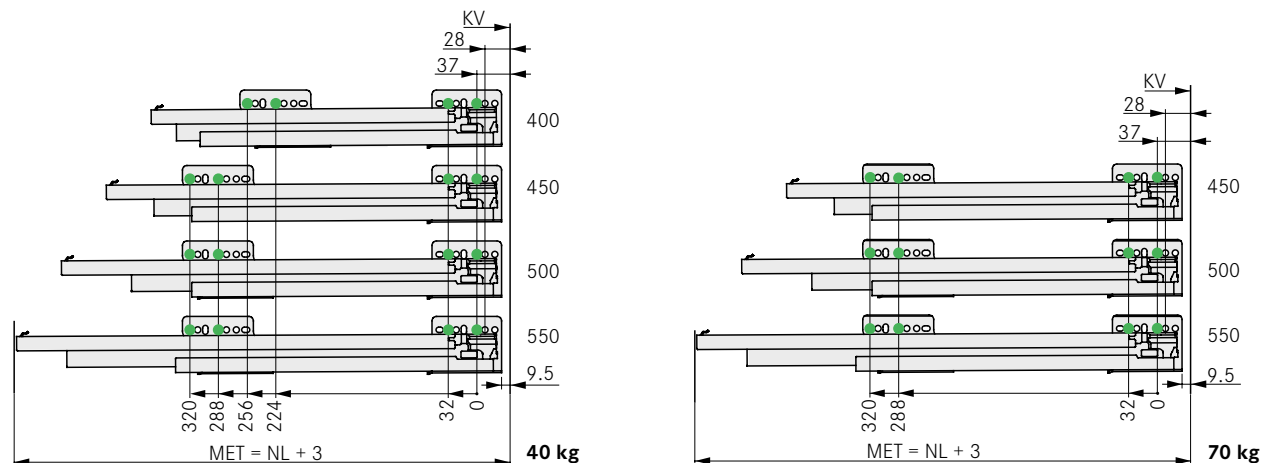
PLANNING DIMENSIONS

All dimensions in millimetres

Front panel installation dimensions	Back panel installation dimensions	Cutting dimensions for 16 mm chipboard												
														
<table border="1"> <thead> <tr> <th>Slide</th> <th>S</th> <th>16/19</th> <th>18</th> </tr> </thead> <tbody> <tr> <td>EB</td> <td></td> <td>29</td> <td>30</td> </tr> <tr> <td>A</td> <td></td> <td>21.5</td> <td>22.5</td> </tr> </tbody> </table> <p>Note: Slide available in two versions: S16/S19 and S18. See the chapter on slides (from page 320 onwards).</p>			Slide	S	16/19	18	EB		29	30	A		21.5	22.5
Slide	S	16/19	18											
EB		29	30											
A		21.5	22.5											
<p>* Recommendation/minimum dimension: 49.5 mm/Tipmatic Soft-close: 58 mm</p>														

Mounting positions for full extension slide

Euro screw Ø 6 x 13 mm



LEGEND

B	Bottom panel	FST	Front overlay	NL	Nominal length
BB/BL	Bottom panel width/length	KV	Cabinet front edge	RW	Back panel
EB	Installation width	LWK	Inside cabinet width	RWB	Back panel width
FAS	Front overlay, side	MET	Minimum installation depth	RWH	Back panel height

