

NOVA PRO SCALA

High drawer H186



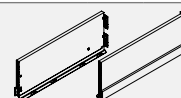
- Slim, closed drawer side
- High stability up to a front height of 780 mm
- Can be customised using designer panels
- Integrated height, side and tilt angle adjustment
- Straight inside surfaces and narrow installation width ensure optimal utilisation of space
- Tool-free fitting and removal of the front
- Same bottom panel and back panel width
- No need to machine the bottom panel

Note:

- Front-bottom connector recommended for KB 800 mm and above (see page 350)

ORDER INFORMATION

1 Nova Pro Scala drawer sides H186 Set: one left, one right											
NL	Stone				Ice				Silver		
	Art. No.				Art. No.				Art. No.		
270	F100103300				F100103327				F100103354		
300	F100103303				F100103330				F100103357		
350	F100103306				F100103333				F100103360		
400	F100103309				F100103336				F100103363		
450	F100103312				F100103339				F100103366		
500	F100103315				F100103342				F100103369		
550	F100103318				F100103345				F100103372		
600	F100103321				F100103348				F100103375		
650	F100103324				F100103351				F100103378		



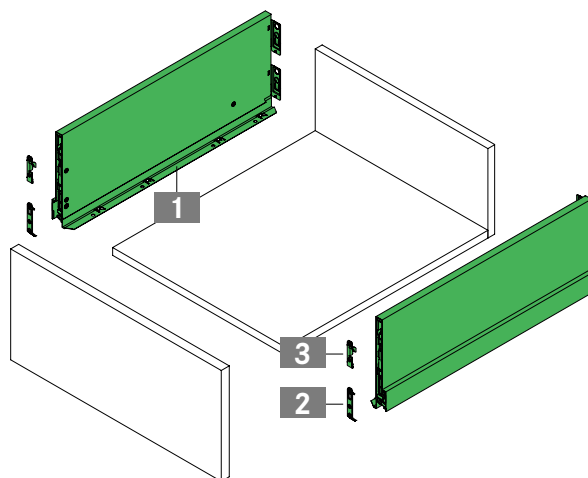
2 Installation hook Single item: can be used on left/right			
	Description	Art. No.	
32 mm	Expansion dowel	F102117719	
50 mm	Expansion dowel	F102117720	
32 mm	For press fitting	F102021854	
50 mm	For press fitting	F102021153	
	For screw fitting	F102021855	



3 Front clip Single item: can be used on left/right			
	Description	Art. No.	
32 mm	Expansion dowel	F102104835	
32 mm	For press fitting	F102104834	
32 mm	For screw fitting	F102104833	



Nova Pro slides from page 320 onwards	

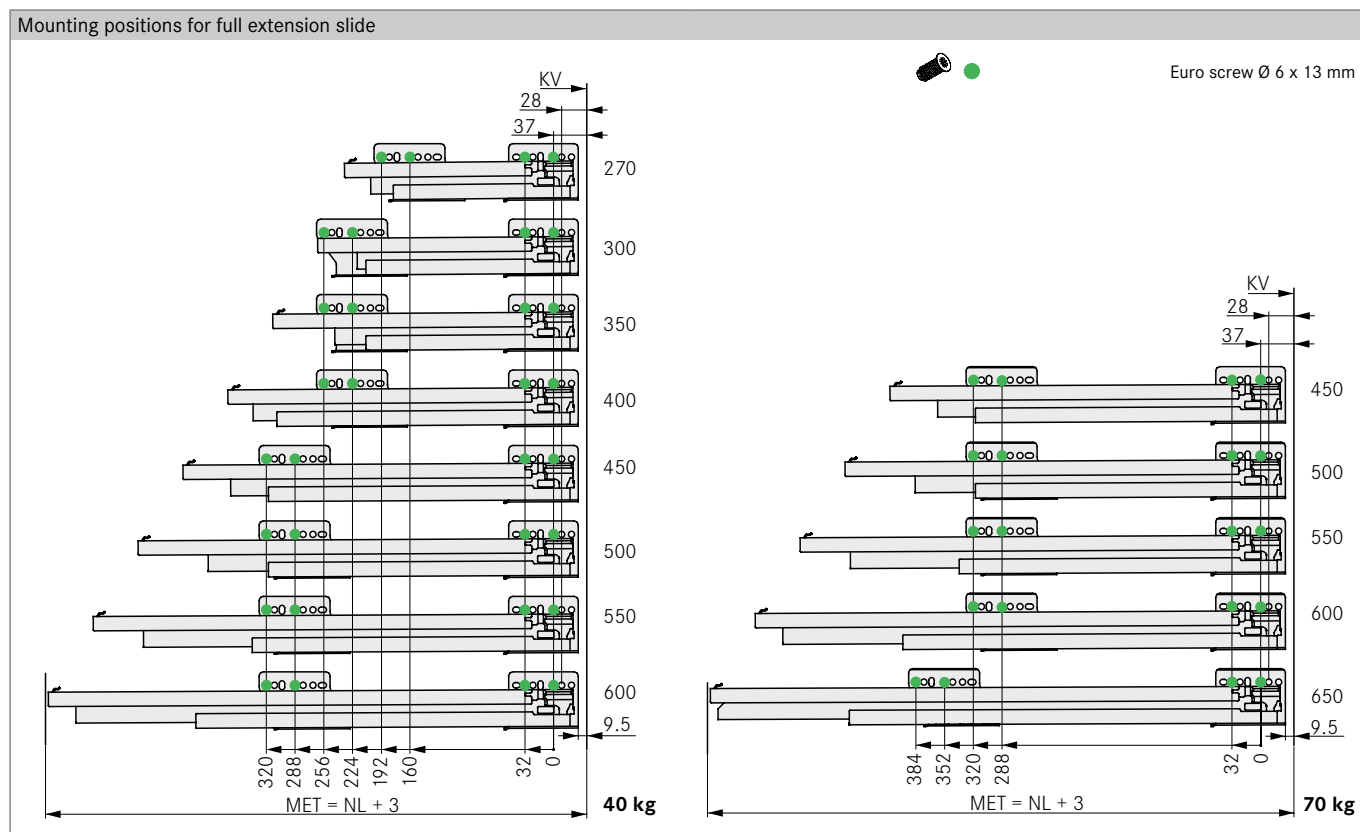
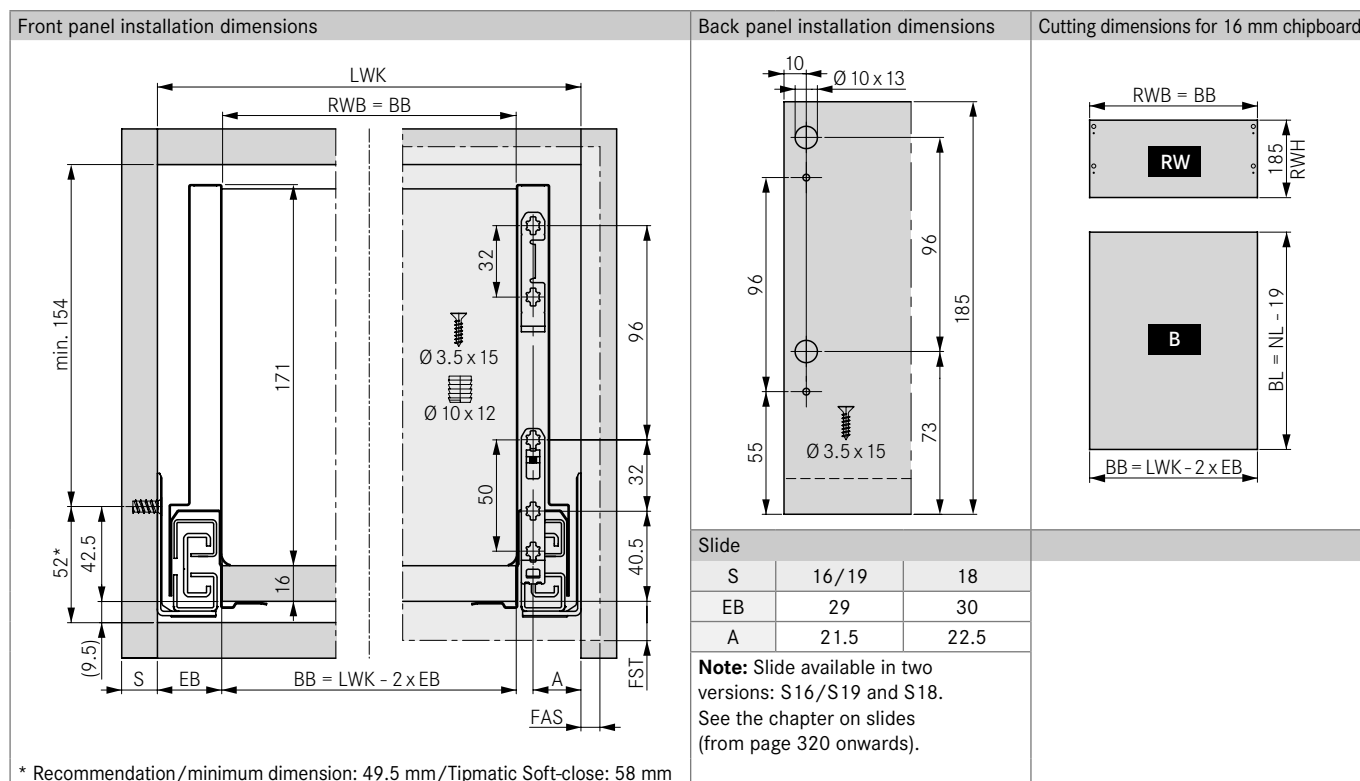


PAGE REFERENCES

Tipmatic Soft-close	324	Application examples	342	Organising systems	577
Inset panels	332	Accessories	348	Sensomatic	617
Designer panels	338	Technical information	352	Assembly technology	637

PLANNING DIMENSIONS

All dimensions in millimetres



LEGEND

B	Bottom panel	FST	Front overlay	NL	Nominal length
BB/BL	Bottom panel width/length	KV	Cabinet front edge	RW	Back panel
EB	Installation width	LWK	Inside cabinet width	RWB	Back panel width
FAS	Front overlay, side	MET	Minimum installation depth	RWH	Back panel height

