

ABOUT RANGEHOOD DUCTING

RANGEHOOD DUCTING

Rangehoods are designed to remove steam, grease and odours from a kitchen. Once this dirty air has entered the hood it can do one of two things:

- Be recirculated through filters which clean the air and return it to the kitchen.
- Be expelled through ducting to the exterior of the house.

External ducting is recommended as the most desirable and effective method of removing dirty air from your kitchen.

DUCTED

Ducted rangehoods use aluminium filters which catch large particles of fat and grease (and are easily washed by hand or dishwasher), and then expel steam and odours to the exterior of the house. This is the most effective installation to maintain performance of the rangehood.

RECIRCULATING SEMI DUCTED

On recirculating rangehoods the air is cleaned before being recirculated into the kitchen, through the use of charcoal filters which absorb odours and steam as well as catching grease in their fine fibres. These filters become clogged affecting rangehood performance and need replacing regularly at intervals.

HERE'S A FEW POINTS TO CONSIDER

- Rigid components are more efficient than flexible ducting which causes air friction and turbulence. If flexible ducting must be used, keep as taut and straight as possible.
- Don't discharge exhaust air into existing chimneys or flues that carry combustible products from other sources.
- Properly installed ducting can reduce noise from the rangehood.

PLANNING

Ducting should be planned as part of the kitchen or house design at the earliest possible stages. The shortest and most direct route to the exhaust point is the most efficient.

NEW ZEALAND: Robinhood Ltd, 6 Zelanian Dr., East Tamaki, AUCKLAND. TEL 0800 760 667. FAX 0800 276 246.

NSW/VIC/TAS: Robinhood Australia Pty Ltd. TEL 1800 648 556 or 0-3-9590 0100. FAX 1800 628 577 or 0-3-9590 0111.

QUEENSLAND/NTHN TERRITORIES: Terry Hayes Agencies Pty Ltd. TEL 0-7-3262 1311. FAX 0-7-3262 1217.

RIVERINA/CENTRAL WEST: Warden Agencies. TEL 0-2-6922 8600. FAX 0-2-6922 8611.

Due to ongoing research and development, the manufacturer reserves the right to change specifications without notice. If specifications are critical to end use, please ask your merchant. This information is provided without prejudice to the standard terms and conditions of the sale of the manufacturer. This brochure supersedes all previous brochures.

USING FLEXI DUCT

Smooth wall rigid ducting creates less air turbulence and back pressure than Flexi Duct, so the use of Flexi Duct should be kept to a minimum.

It should be kept taut to reduce turbulence and back pressure. When joining Flexi Duct to other components use cable ties or duct tape to hold the Flexi Duct securely in place.

DUCTING SIZE

In general, the larger the cross sectional area (round or rectangular) of the ducting, the better the performance. Don't impede the flow of air by using ducting that is smaller in cross sectional area than the fan outlet.

EXTERNAL OUTLETS

Outlet grills (rectangular and round) can be flush mounted and have fly screens built in.

If installing a roof duct it is advised to have a qualified person install the weatherproof flashing.

UNIDUCT KITS

Uniduct kits cover a large proportion of ducting requirements. Kits available are: Vertical, rectangular and round. Rear rectangular. Flexible round. External roof kit.

JOINING UNIDUCT

Flat channel components slide into each other, the outlet end is slotted.

Round components slide into each other, the outlet end is crimped or joiners are available.

Metal components may be screwed or riveted together, although duct tape may be sufficient.

REGULATION

Regulations concerning the discharge of exhaust air have to be complied with.

UNIDUCT HELP LINE

If you are unsure of your requirements ask your retailer or merchant to ring
0800 760 667 (NZ) 1800 648 556 (Aust.)

ACT/SOUTH COAST: Warden Agencies. TEL 0-2-6280 5736. FAX 0-2-6280 5376.

SOUTH AUSTRALIA: Acton Marketing Partners. TEL 0-8-8234 9099. FAX 0-8-8234 9200.

WESTERN AUSTRALIA: J.H. Wilberforce Pty Ltd. TEL 0-8-9340 6222. FAX 0-8-9340 6262.

SINGAPORE: Multico Building Products Pty Ltd. TEL 00-65-283-8888. FAX 00-65-283-8138.

UNIDUCT DEALER

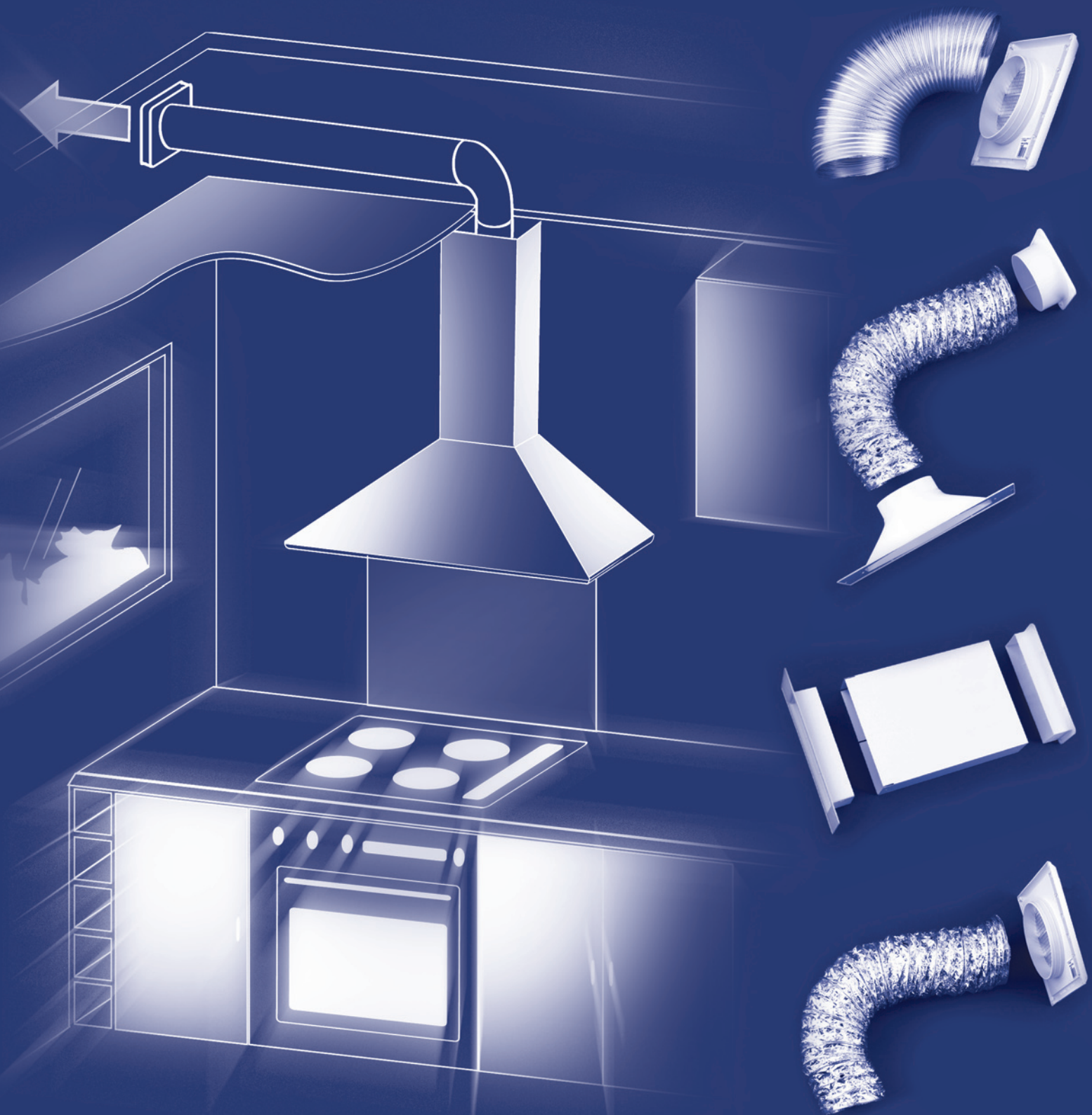
Visit our website:



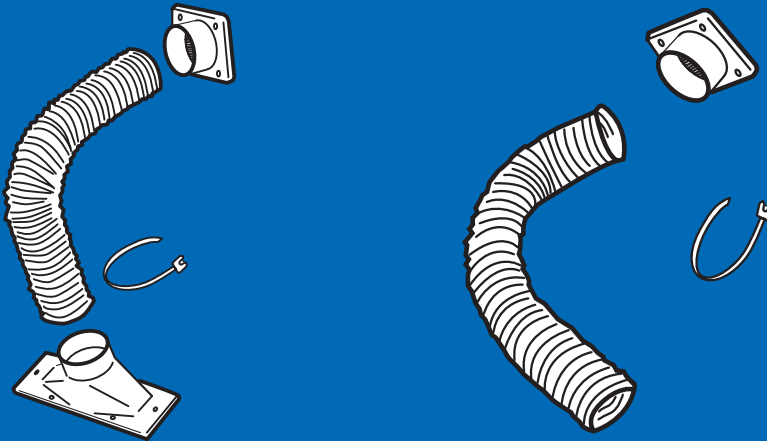
© ROBINHOOD LTD

UNIDUCT[®]

RANGEHOOD DUCTING



FLEXIBLE DUCT KITS



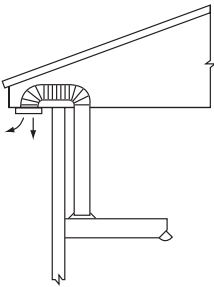
1574 Flexi Duct Kit 125mm

For Hoods with rectangular outlet

CONTAINS:

- Round Adaptor 125mm
- Round Flexi Duct 125mm x 2m
- Round Outlet Grill 125mm Fixed
- Cable Tie

Ducting to wall or eave.



1569 Flexi Duct Kit 150mm

For Hoods with 150mm outlet

CONTAINS:

- Round Flexi Duct 150mm x 2m
- Round Outlet Grill 150mm Fixed
- Cable Tie

1636 Flexi Duct Kit 125mm

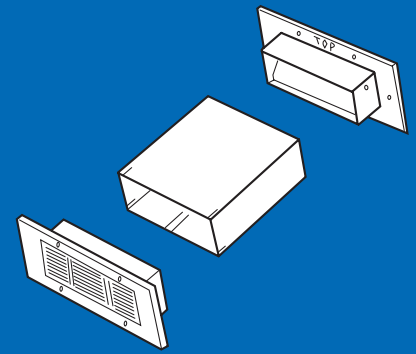
For Hoods with 125mm outlet

CONTAINS:

- Round Flexi Duct 125mm x 2m
- Round Outlet Grill 125mm Fixed
- Cable Tie

NOTE: Flexi Duct should only be used when rigid ducting is not possible. While convenient Flexi Duct may impede rangehood performance.

REAR DUCT KIT



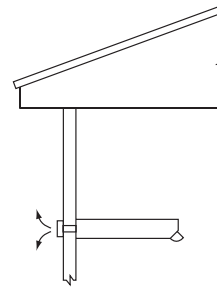
1575 Rear Duct Kit

For rear ducting through external wall

CONTAINS:

- Rectangular Rangehood Adaptor (with fire flap)
- Rectangular Flue 85mm x 285mm x 390mm
- Rectangular Outlet Grill

Rear vent ducting through external wall.



SEMI RIGID DUCT KITS



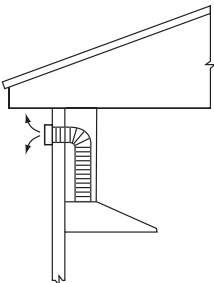
1687 Semi Rigid Duct Kit 125mm

For Hoods with 125mm outlet

CONTAINS:

- Semi Rigid Duct 125mm x 1m
- Round Outlet Grill 125mm Fixed

Ducting to wall or eave.



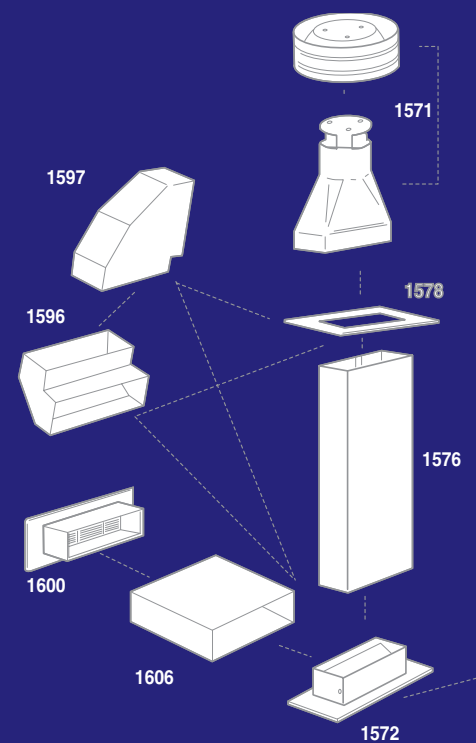
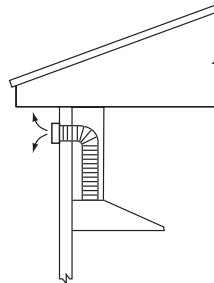
1688 Semi Rigid Duct Kit 150mm

For Hoods with 150mm outlet

CONTAINS:

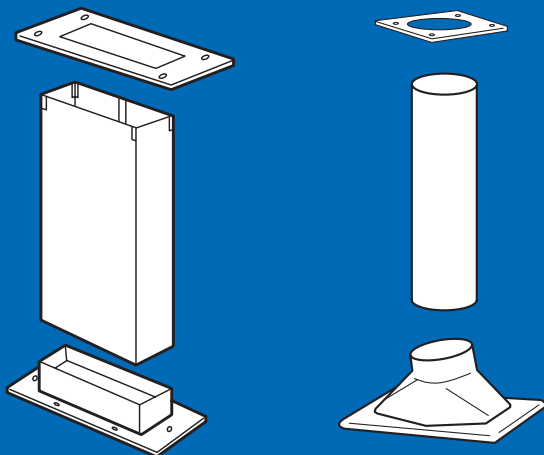
- Semi Rigid Duct 150mm x 1m
- Outlet Grill 150mm Fixed

Ducting to wall or eave.



ALL UNIDUCT RECTANGULAR DUCTING IS

VERTICAL DUCT KITS



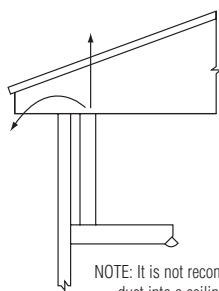
1570 Vertical Rectangular Kit

CONTAINS:
Rectangular Rangehood Adaptor
(with fire flap)
Rectangular 1000mm Flue
Rectangular Ceiling Tile

1637 Vertical Round Kit 125mm

CONTAINS:
Round Adaptor 125mm
Round Straight Galv 125mm x 1000mm
Ceiling Tile White

Vertical ducting through ceiling.



NOTE: It is not recommended to duct into a ceiling cavity

EXTERNAL ROOF KIT

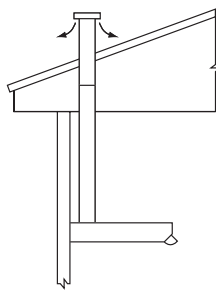


1571 External Roof Kit

Fits on 85mm x 285mm Ducting

CONTAINS:
Roof Cowl 200mm
Ceiling/Roof Transition

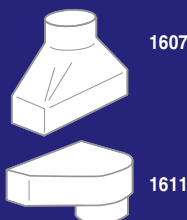
Top ducting with exposed flue.



INDIVIDUAL COMPONENTS

NOTE: not to scale

RECT/ROUND ADAPTORS



1613
1635



1684
1685
1612



1579
1633



1679
1680



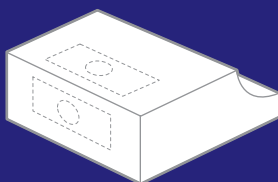
1609
1608
1634
1677
1678



1639
1640
1577
1621
1675
1676



1598
1683
1681
1682



1573



CODE DESCRIPTION

Rangehood Adaptors

1572 Rectangular Fireflap Adaptor
1573 Round Adaptor 125mm

Solid Ducting

1576 Rectangular White 1000mm
1606 Rectangular White 390mm
1608 Round White 125 x 1000mm
1609 Round Galv 125 x 1000mm
1634 Round Galv 150 x 1000mm
1677 Round PVC 125 x 1000mm
1678 Round PVC 150 x 1000mm

Flexible Ducting

1577 Round Flexiduct 125mm x 3m
1621 Round Flexiduct 150mm x 3m
1639 Round Flexiduct 125mm x 1m
1640 Round Flexiduct 150mm x 1m
1675 Semi Rigid Flexiduct 125mm x 1m
1676 Semi Rigid Flexiduct 150mm x 1m

Bends

1596 Rectangular Vertical Bend
1597 Rectangular Horizontal Bend
1612 Round Adjustable Elbow 125mm
1684 PVC 125mm 90° Elbow
1685 PVC 150mm 90° Elbow

Rect/Round Adaptors

1607 Rect/Round Adaptor Straight
1611 Rect/Round Adaptor Elbow

Tiles/Flanges

1578 Rectangular Ceiling Tile White
1579 Round Ceiling Tile White 125mm
1633 Round Ceiling Tile Galv 150mm

Outlets

1600 Rectangular Outlet Grill
1598 Round Outlet Grill 125mm Fixed
1683 Round Outlet Grill 150mm Fixed
1681 Round Outlet Grill 125mm Louvre
1682 Round Outlet Grill 150mm Louvre

Joiners

1679 Joiner 125mm (For Round PVC Ducting)
1680 Joiner 150mm (For Round PVC Ducting)

Roof Cowls

1613 Roof Cowl 125mm
1635 Roof Cowl 150mm