

30cm 2 Burner S.S Gas Hob

COOKTOP

PRODUCT CODE: **ECT30GX**



FEATURES:

- + Stainless steel cooktop
- + 2 gas burners + front knob controls
- + One piece hob for ideal cleaning
- + 1 touch electric ignition
- + Non-slip trivets
- + Flame failure safety device
- + Natural gas or LPG (jets included)

IDEAL CLEANING

Cook top surface all in a "one piece hob setting" which makes cleaning the cooktop a simple, non-time consuming activity.

ONE TOUCH ELECTRONIC IGNITION

This gas cooktop uses a one touch electronic ignition system. Simply push down the knob and turn and the flame will ignite automatically.

CAST IRON TRIVETS

Non-slip, cast iron trivets are standard with this cooktop and removable for easy cleaning.

FLAME FAILURE SAFETY DEVICE

The flame failure device is a safety mechanism which ensures the gas is automatically turned off in the case of the flame extinguishing.

SPECIFICATIONS:

Electrical Requirements Cooktop is supplied with 10 amp plug & cord.

Gas Rated Pressure:

- LPG 2.75 kPa
- Natural 1.00 kPa

Gas Burners:

- Rapid Gas Burner (Rear) 10.8 MJ/h
- Auxiliary Burner (Front) 3.60 MJ/h

Weight 8.5 kg net / 10.5 kg gross

Product Dimensions 300mm x 520mm x 100mm

Barcode 9347726024820

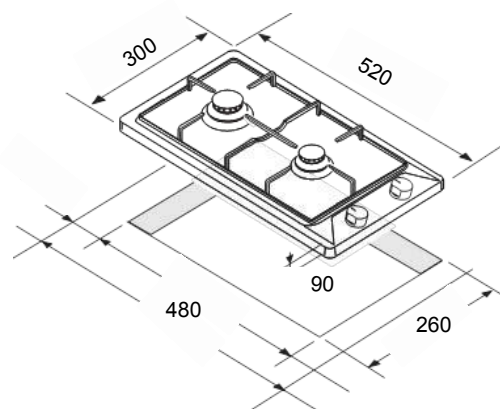


eurocooking



Warranty

INSTALLATION DIAGRAM



CLEANING AND MAINTENANCE

- + Cleaning operations must only be carried out when the appliance is completely cool.
- + Clean the appliance regularly, preferably after each use
- + Abrasive cleaners or sharp objects will damage the appliance surface; you should clean it using water and a little washing up liquid

SAFETY INFORMATION

- + Do not use this appliance if it comes in contact with water. Do not operate this appliance with wet hands
- + The heating and cooking surfaces of the appliances become hot when in use, take all due precautions.
- + Unstable pans should not be used on the appliances as they can cause an accident by tipping or spillage.
- + Never leave the appliance unattended when cooking.
- + Please refer to the manual for more information