

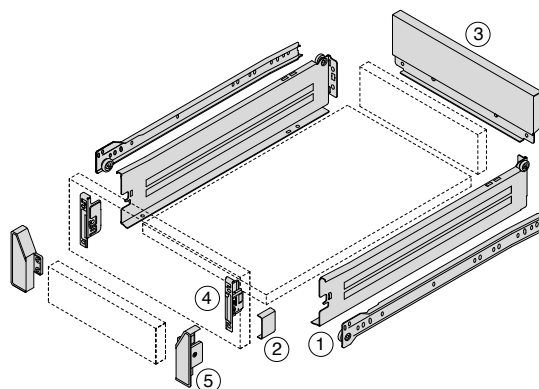
IMPAZ

Standard Drawer / Inner Drawer S - Single Extension

IMPAZ



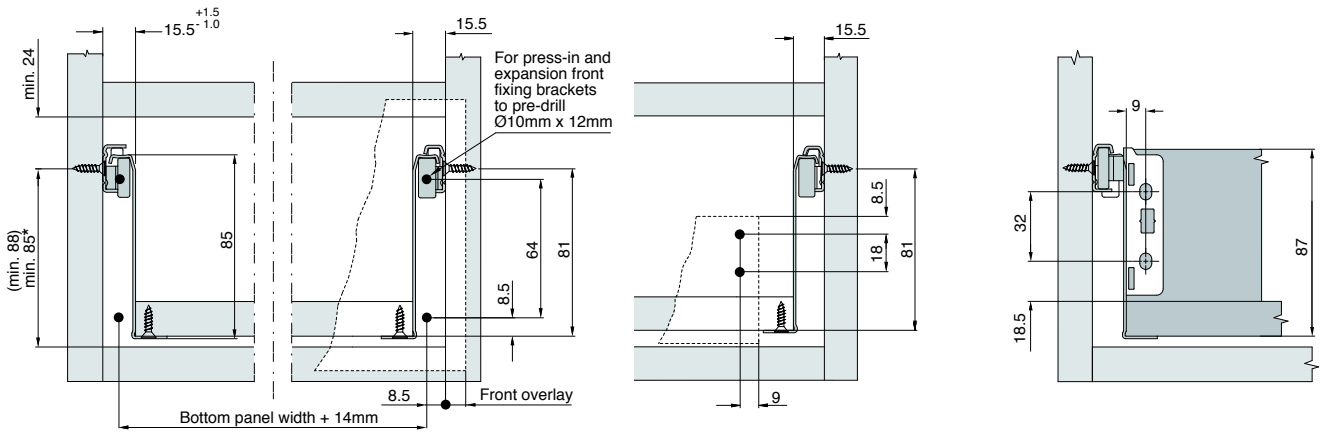
- Single extension
- Steel drawer side panels 85mm
- Epoxy coated
- Load capacity of 30kg
- Self closing feature
- Flexible 2-dimensional front adjustment
- Smooth rolling mechanism
- Double out-stop safety feature
- Locked-in position when fully extended



①		Cabinet Profile Drawer Side Left / Right :	
Drawer Length	Screw-on	Plug-in	
270mm	4020.27.XX	4021.27.XX	
350mm	4020.35.XX	4021.35.XX	
400mm	4020.40.XX	4021.40.XX	
450mm	4020.45.XX	4021.45.XX	
500mm	4020.50.XX	4021.50.XX	
550mm	4020.55.XX	4021.55.XX	
②		③	
	Cover Cap-plain for Standard brackets	Cabinet Width (16mm side panel)	Article No. Standard
	2X RBC.61040.XX	400mm	RSB02.336.XX
	Cover Cap-plain for Clip-on brackets	450mm	RSB02.386.XX
	RBC.66040.XX	500mm	RSB02.436.XX
	Order Left & Right	550mm	RSB02.486.XX
④ - steel nickel plated		600mm	RSB02.536.XX
	Front Fixing Bracket - Standard		
	➤ Screw-on RBF.11240.NI		
	▮ Press-in RBF.12240.NI		
	▮ Expansion RBF.13240.NI		
	Order Left & Right		
	Front Fixing Bracket - Clip-on		
	➤ Screw-on RBF.16040.NI		
	▮ Press-in RBF.17040.NI		
	▮ Expansion RBF.18040.NI		
	Order Left & Right		
⑤			
	Front Fixing Bracket		
	RBF.31040.XX		
	Order Left & Right		

Colour Code XX
 Standard : 01 - R9010 White 21 - R7004 Grey 24 - R7037 Dust Grey
 Available upon request : 02 - R9001 Cream 22 - R9006 Grey Metallic

Inner Drawer



() Inner Drawer * Add 8mm when used with 201.000 Drawer Front Locking Piece.

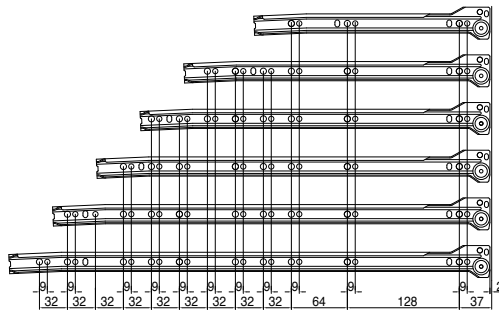
Cabinet Profile Screw Positions

Cutting Dimensions for 16mm Chipboard

Drawer Length

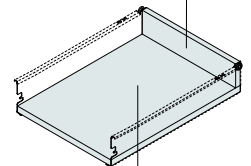
Min. Internal Cabinet Depth = Drawer Length + 3mm

- 270mm
- 350mm
- 400mm
- 450mm
- 500mm
- 550mm



Standard Drawer

Back panel
Width = Internal cabinet width - 31mm
Height = 71mm

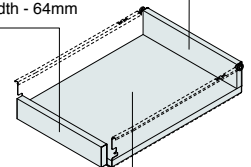


Bottom panel
Width = Internal cabinet width - 31mm
Length (wooden back) = Drawer length - 2mm
Length (steel back) = Drawer length - 12mm

Inner Drawer

Back panel
Width = Internal cabinet width - 31mm
Height = 71mm

Front panel
Width = Internal cabinet width - 64mm
Height = 61mm



Bottom panel
Width = Internal cabinet width - 31mm
Length (wooden back) = Drawer length - 18mm
Length (steel back) = Drawer length - 28mm

Pre-drilling Dimensions of Bottom Panel for Plug-in

Drilling Template see page 52

